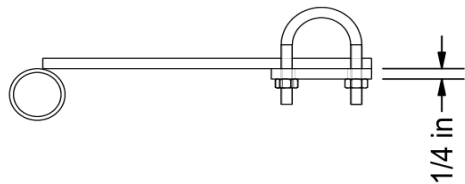
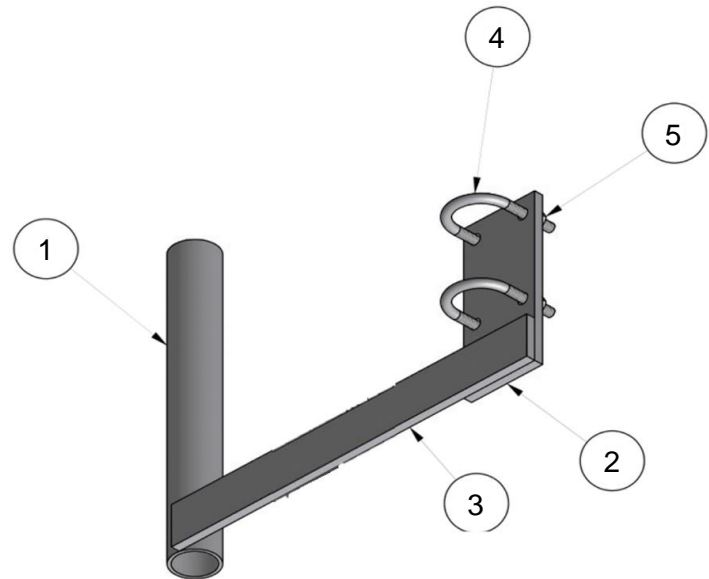


Parts List

ITEM	QTY	PART NUMBER	DESCRIPTION
1	1	1217	1 1/4 x 16 GA.
2	1	1219	Flat Bar Steel
3	1	1220	Flat Bar Steel
4	2		U-BOLT
5	4		1/4 - 20 UNC Hex Nut



WEIGHT: 10 LBS



P.O. Box 29 Shelby, Ohio 44875

Telephone
(419) 347-1185

info@amertower.com
www.amertower.com
Since 1953

Fax
(419) 347-1654

TITLE
SPHDMM-18

SIZE A	DWG NO 1218A	SHT. # 1
DRAWN BY: DOW		DATE 10/3/2004

