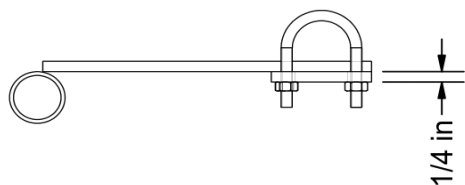
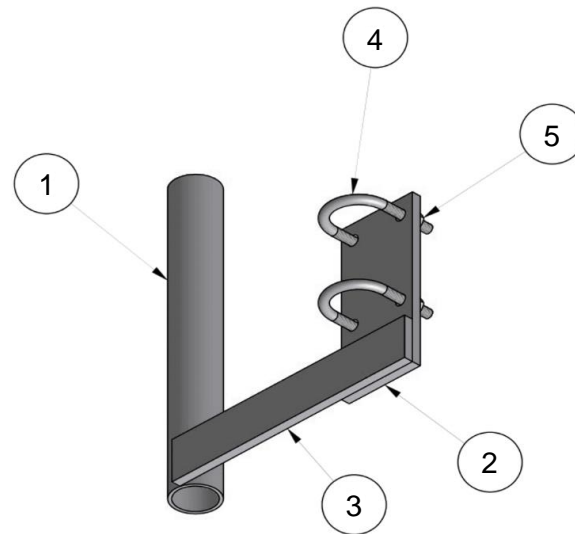


Parts List			
ITEM	QTY	PART NUMBER	DESCRIPTION
1	1	1217	1 1/4 x 16 GA.
2	1	1219	Flat Bar Steel
3	1	1220	Flat Bar Steel
4	2		U-BOLT
5	4		1/4 - 20 UNC Hex Nut



WEIGHT: 4 LBS

AMERITE!
BY AMERICA'S TOWER COMPANY

P.O. Box 29 Shelby, Ohio 44875
 info@amertower.com
 www.amertower.com
 Telephone (419) 347-1185 Since 1953 Fax (419) 347-1654

TITLE
SPHDMM

SIZE A	DWG NO 1218	SHT. # 1
DRAWN BY: DOW		DATE 10/3/2004