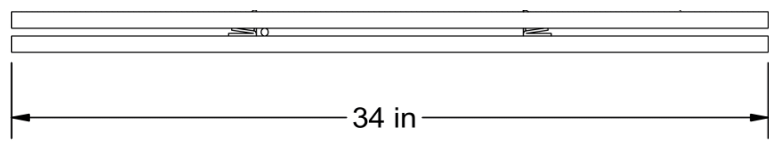
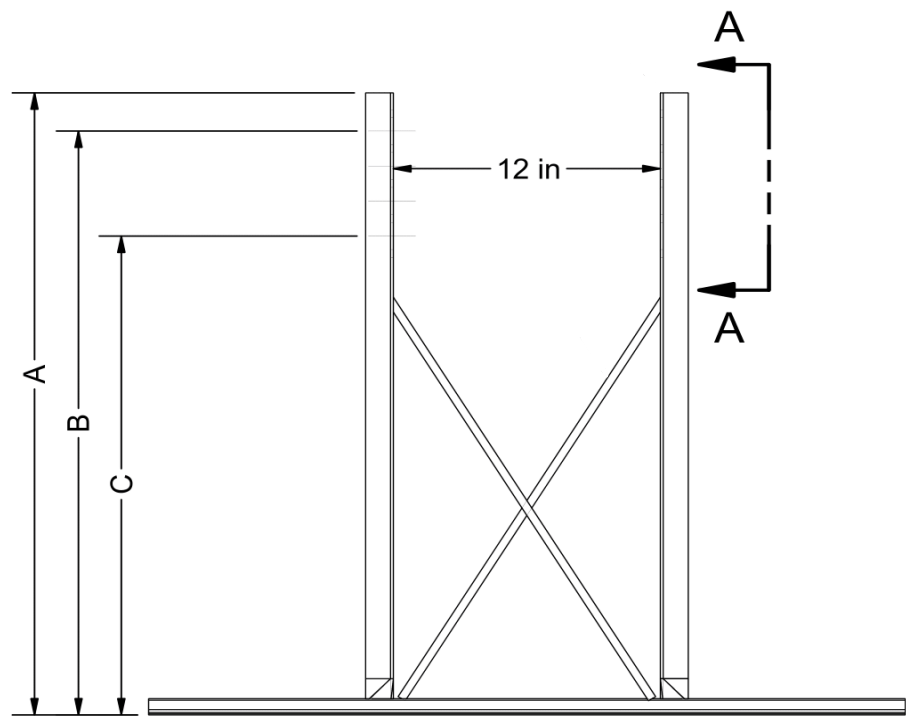
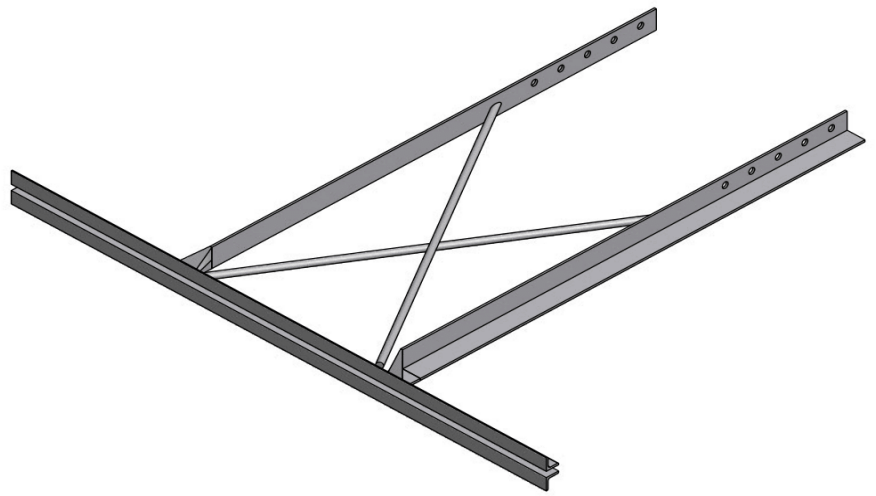


HOUSE BRACKET	A - OVERALL	B - MAX CLEARANCE	C - MIN CLEARANCE	WEIGHT
DA-30	30"	28"	23"	18 lbs
DA-36	36"	34"	29"	20 lbs



AMERITE!
BY AMERICAN TOWER COMPANY

P.O. Box 29 Shelby, Ohio 44875
 info@amertower.com
 Telephone (419) 347-1185 www.amertower.com Fax (419) 347-1654
 Since 1953

TITLE
 DA-30" AND 36" ADJUSTABLE HOUSE BRACKETS

SIZE	DWG NO	REV
A	1124	
DRAWN BY: DOW		DATE 6/20/2003