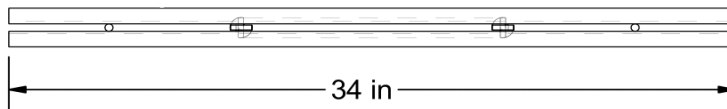
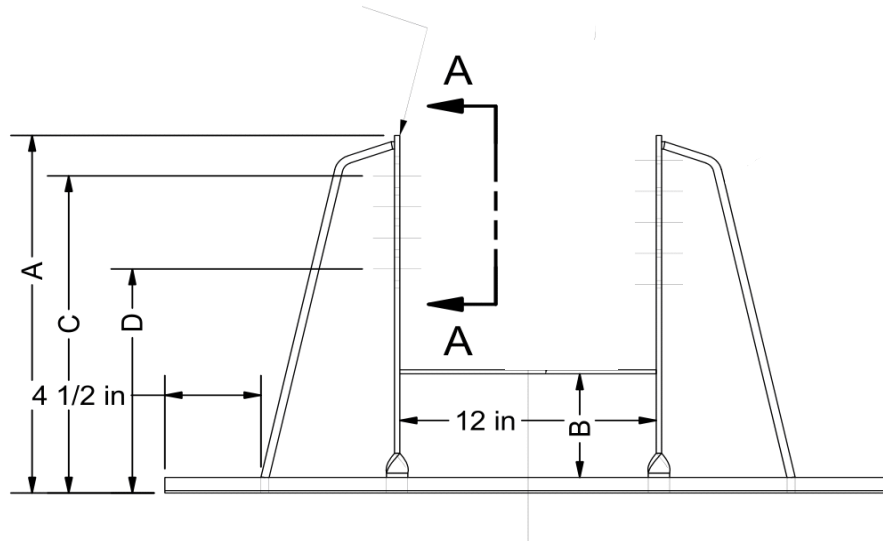
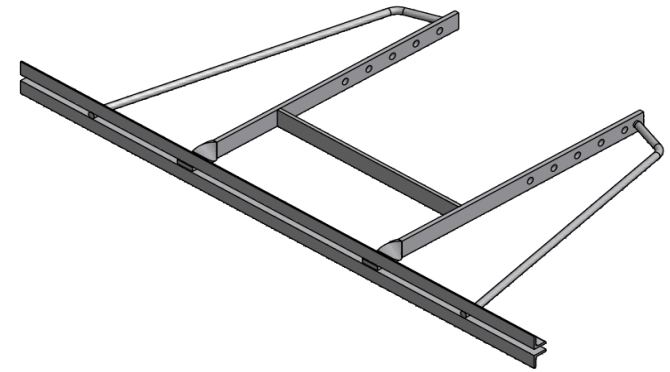


HOUSE BRACKET	A - OVERALL	B	C - MAX CLEARANCE	D - MIN CLEARANCE	WEIGHT
DA-12	12"	-	10"	5"	10 lbs
DA-18	18"	5-¼"	16"	11"	14 lbs
DA-24	24"	9-½"	22"	17"	16 lbs



AMERITE!
BY AMERICA TOWER COMPANY

P.O. Box 29 Shelby, Ohio 44875
 Telephone info@amertower.com
 (419) 347-1185 www.amertower.com Fax
 Since 1953 (419) 347-1654

TITLE
 DA-12"-18"-24" ADJUSTABLE HOUSE BRACKETS

SIZE	DWG NO	REV
A	1074	
DRAWN BY: DOW		DATE 4/23/2003