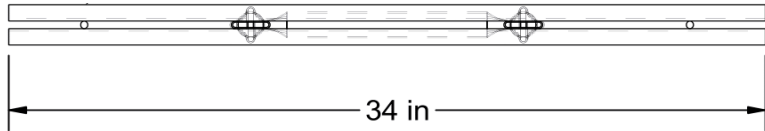
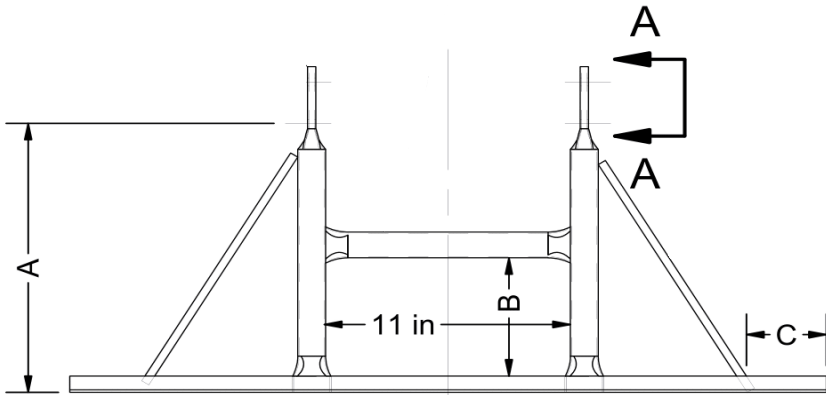



HOUSE BRACKET	A	B	C	WEIGHT
B-306	6 in	4 1/4 in	-	7 lbs
B-312	12 in	7 in	4 in	9 lbs
B-318	18 in	12 in	4 in	10 lbs
B-324	24 in	17 in	3 3/4 in	12 lbs
B-330	30 in	24 in	4 1/2 in	13 lbs
B-336	36 in	30 3/4 in	4 1/2 in	15 lbs




 P.O. Box 29 Shelby, Ohio 44875
 Telephone info@amertower.com
 (419) 347-1185 www.amertower.com Since 1953 Fax (419) 347-1654

TITLE
B-3 SERIES HOUSE BRACKETS

SIZE A	DWG NO 1072	REV
DRAWN BY: DOW		DATE 4/22/2003