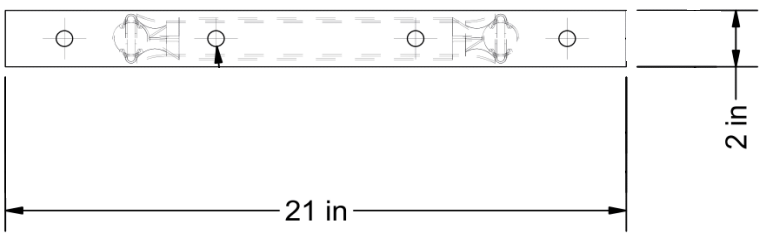
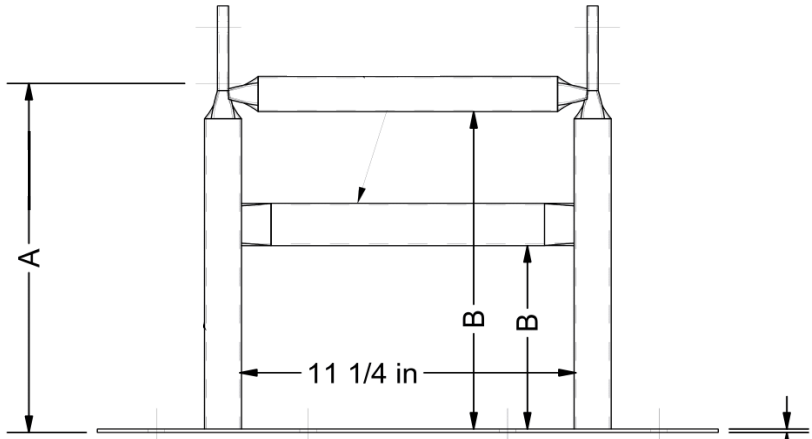
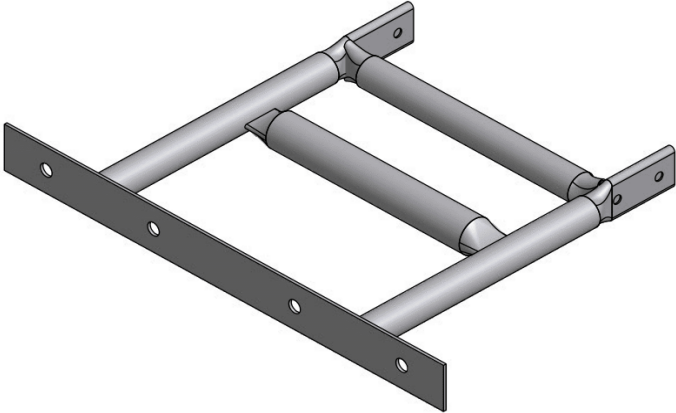


HOUSE BRACKET	A	B	WEIGHT
B-106	6"	5"	5 lbs
B-112	12"	6-½"	6 lbs
B-118	18"	12"	7 lbs



AMERITE!
BY AMERICAN TOWER COMPANY

P.O. Box 29 Shelby, Ohio 44875
 info@amertower.com
 Telephone (419) 347-1185 www.amertower.com Fax (419) 347-1654
 Since 1953

TITLE
B-1 SERIES HOUSE BRACKETS

SIZE	DWG NO	REV
A	4096	
DRAWN BY: DOW		DATE 5/24/2003