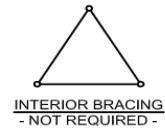
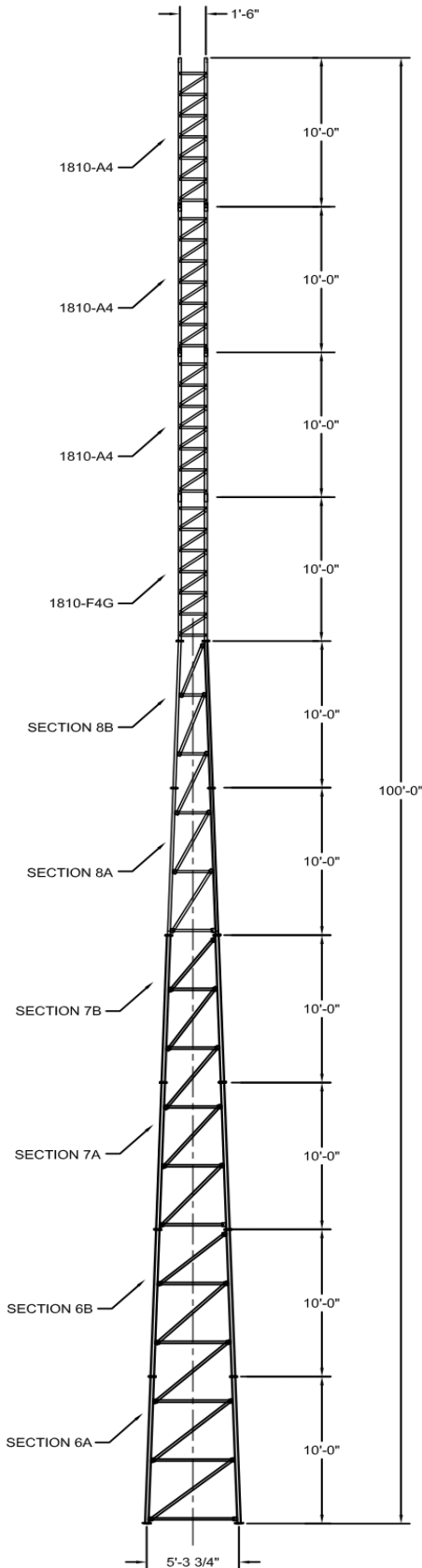


* PIPE LEGS 42 KSI MIN YIELD
10 GA H.S. TUBE LEGS 50 KSI MIN YIELD

According to ANSI/EIA-222-F 1996

70mph / 60.62 mph + 1/2" radial ice w/ (3 second gust) per OBC AND IBC				
	CaAa	Flat Plate Area	Weight	Elevation
No Ice	9 sq ft	5 sq ft	100 lbs.	100.0 ft.
1/2" Ice	5.5 sq ft	3.06 sq ft	150 lbs.	100.0 ft.
(1) - 7/8" coax Elevation 0 ft to 100 ft				
Climbing Ladder Elevation 0 ft to 60 ft				

ASTM	
*	A36
2.0" x 10 GA.	L3/4" x 3/4" x 1/8"
	L1-1/4" x 1-1/4" x 1/8"
	L1-1/2" x 1-1/2" x 1/8"
	(33) - 5/8"Ø
	(12) - 1/2"Ø
	(4) - 7/8"Ø (C1018 THREADED ROD)
	(6) - 1/2"Ø



AMERITE!
P.O. Box 29 Shelby, OH 44875
Telephone info@amertower.com Fax
(419) 347-1185 www.amertower.com Since 1953 (419) 347-1654

TITLE 100' KA SERIES
SELF SUPPORTING TOWER

SIZE A	DWG NO 1444	SHT. # 1
DRAWN BY: RAS		DATE: 10/10/08