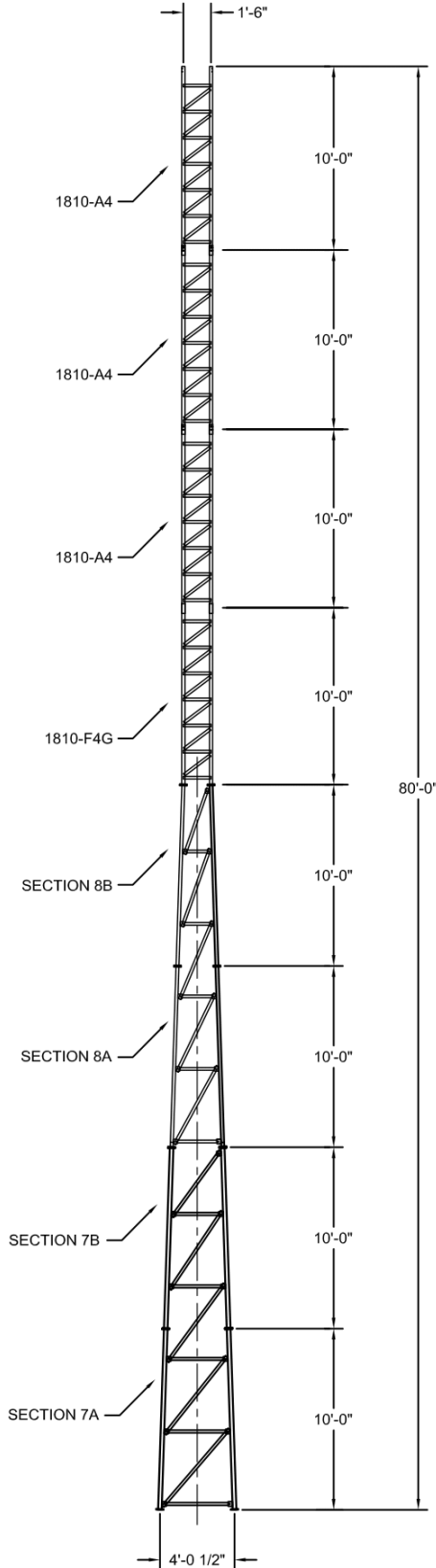


* PIPE LEGS 42 KSI MIN YIELD
 10 GA H.S. TUBE LEGS 50 KSI MIN YIELD

According to ANSI/EIA-222-F 1996

70mph / 60.62 mph + 1/2" radial ice w/ (3 second gust) per OBC AND IBC				
	CaAa	Flat Plate Area	Weight	Elevation
No Ice	11 sq ft	6.11 sq ft	100 lbs.	80.0 ft.
1/2" Ice	9 sq ft	5 sq ft	150 lbs.	80.0 ft.
(1) - 7/8" coax Elevation 0 ft to 80 ft				
Climbing Ladder Elevation 0 ft to 40 ft				

ASTM	
*	GRADE
A36	5
2.0" x 10 GA	
L3/4" x 3/4" x 1/8"	
L1-1/4" x 1-1/4" x 1/8"	
-SHOP WELDED-	
(6) - 1/2"Ø	
1.9" x 0.145"	
L1-1/2" x 1-1/2" x 1/8"	
L1-1/2" x 1-1/2" x 1/8"	
(33) - 5/8"Ø	
(12) - 1/2"Ø	
2.375" x 0.154"	
L1-3/4" x 1-3/4" x 1/8"	
L1-3/4" x 1-3/4" x 1/8"	
(33) - 5/8"Ø	
(12) - 1/2"Ø	
(4) - 3/4"Ø (C1018 THREADED ROD)	



AMERITEL
 P.O. Box 29 Shelby, OH 44875
 Telephone info@amertower.com Fax
 (419) 347-1185 www.amertower.com Since 1953 (419) 347-1654

TITLE 80' KA SERIES
 SELF SUPPORTING TOWER

SIZE A	DWG NO 1442	SHT. # 1
DRAWN BY: RAS		DATE: 10/10/08