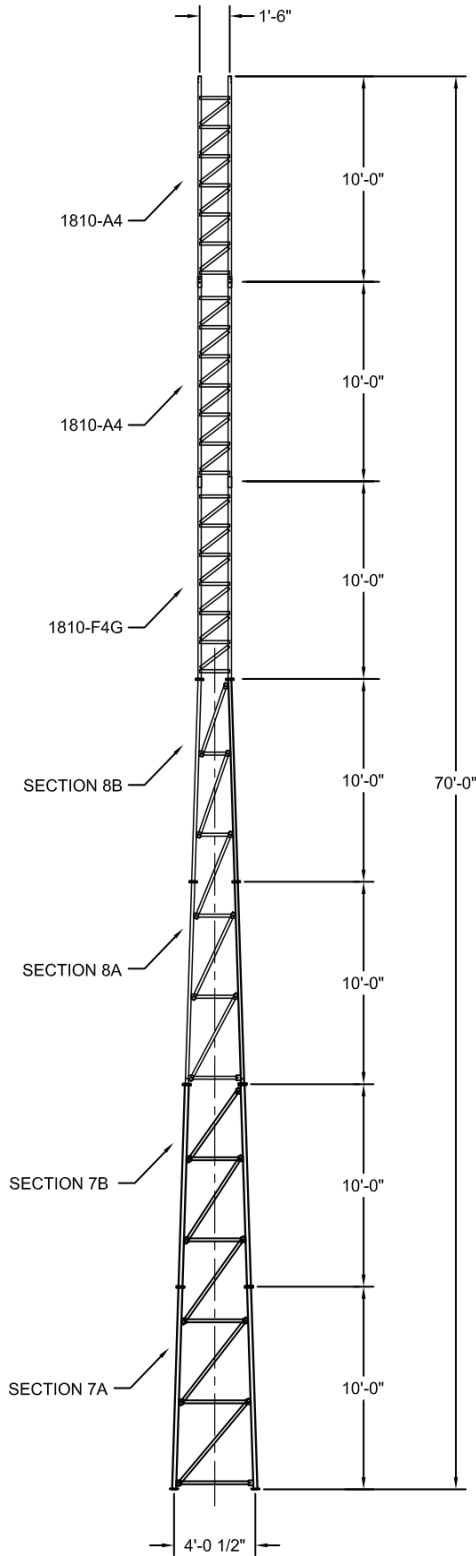


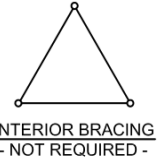
* PIPE LEGS 42 KSI MIN YIELD
 10 GA H.S. TUBE LEGS 50 KSI MIN YIELD

According to ANSI/EIA-222-F 1996

ASTM		*
LEGS	2.0" x 10 GA	A36
DIAGONALS	2.375" x 0.145"	GRADE 5
GIRTS	1.9" x 0.145"	
BRACE BOLTS	2.375" x 0.154"	
SPLICE BOLTS	1.9" x 0.145"	
ANCHOR BOLTS	1.9" x 0.145"	



70mph / 60.62 mph + 1/2" radial ice w/ (3 second gust) per OBC AND IBC				
	CaAa	Flat Plate Area	Weight	Elevation
No Ice	24.5 sq ft	13.61 sq ft	100 lbs.	70.0 ft.
1/2" Ice	28.00 sq ft	15.56 sq ft	150 lbs.	70.0 ft.
(1) - 7/8" coax Elevation 0 ft to 70 ft				
Climbing Ladder Elevation 0 ft to 40 ft				



AMERITE!
 P.O. Box 29 Shelby, OH 44875
 Telephone info@amertower.com Fax
 (419) 347-1185 www.amertower.com Since 1953 (419) 347-1654

TITLE 70' KA SERIES
 SELF SUPPORTING TOWER

SIZE A	DWG NO 1441	SHT. # 1
DRAWN BY: RAS		DATE: 10/21/08