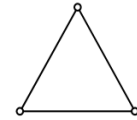
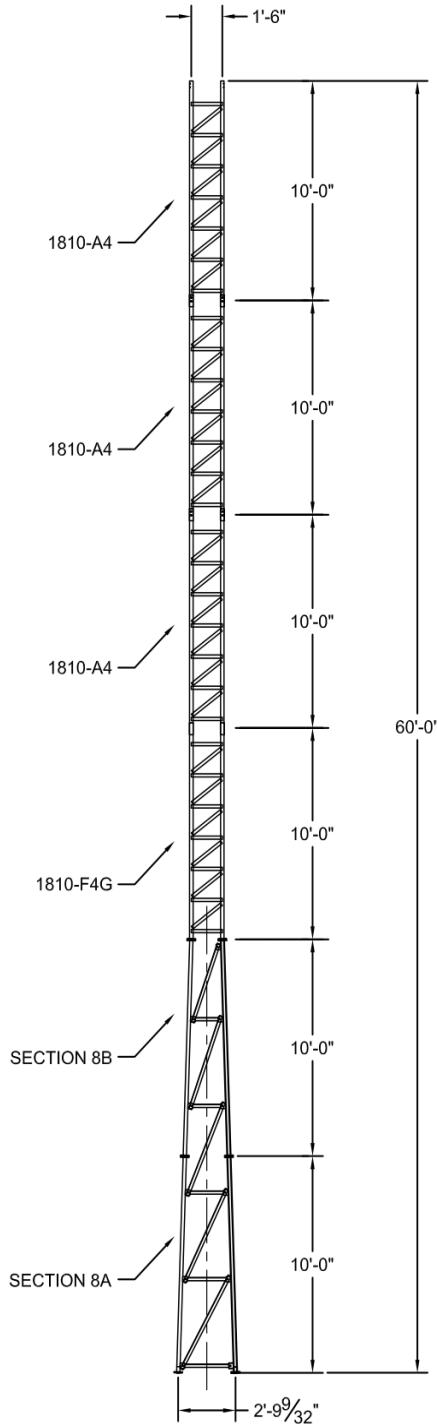


* PIPE LEGS 42 KSI MIN YIELD
 10 GA H.S. TUBE LEGS 50 KSI MIN YIELD

According to ANSI/EIA-222-F 1996

70mph / 60.62 mph + 1/2" radial ice w/ (3 second gust) per OBC AND IBC				
	CaAa	Flat Plate Area	Weight	Elevation
No Ice	14.5 sq ft	8.06 sq ft	100 lbs.	60.0 ft.
1/2" Ice	13.00 sq ft	7.22 sq ft	150 lbs.	60.0 ft.
(1) - 7/8" coax Elevation 0 ft to 60 ft				
Climbing Ladder Elevation 0 ft to 20 ft				

ASTM	
*	A36
	GRADE 5
LEGS	2.0" x 10 GA
DIAGONALS	L3/4" x 3/4" x 1/8"
GIRTS	L1-1/4" x 1-1/4" x 1/8"
BRACE BOLTS	(33) - 5/8"Ø
SPLICE BOLTS	(12) - 1/2"Ø
ANCHOR BOLTS	(4) - 3/4"Ø (C1018 THREADED ROD)



INTERIOR BRACING
 - NOT REQUIRED -

AMERITE!			
P.O. Box 29 Shelby, OH 44875			
Telephone		Fax	
(419) 347-1185		(419) 347-1654	
info@amertower.com www.amertower.com Since 1953			
TITLE 60' KA SERIES			
SELF SUPPORTING TOWER			
SIZE	DWG NO	SHT. #	
A	1440	1	
DRAWN BY: RAS			DATE: 10/21/08