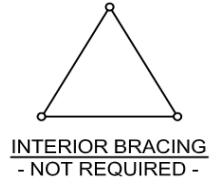
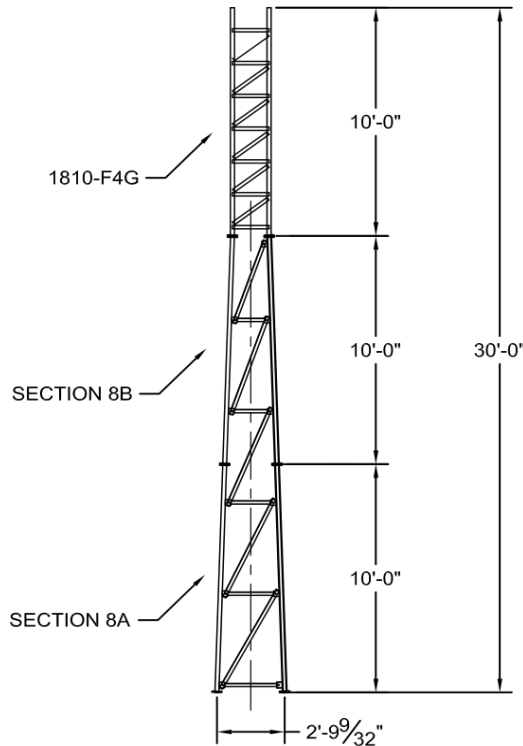


According to ANSI/EIA-222-F 1996

70mph / 60.62 mph + 1/2" radial ice w/ (3 second gust) per OBC AND IBC				
	CaAa	Flat Plate Area	Weight	Elevation
No Ice	80 sq ft	44.44 sq ft	100 lbs.	30.0 ft.
1/2" Ice	64 sq ft	35.55 sq ft	150 lbs.	30.0 ft.
(1) - 7/8" coax Elevation 0 ft to 30 ft				
Climbing Ladder Elevation 0 ft to 20 ft				

* PIPE LEGS 42 KSI MIN YIELD
10 GA H.S. TUBE LEGS 50 KSI MIN YIELD

ASTM	
LEGS	2.0" x 10 GA
DIAGONALS	L3/4" x 3/4" x 1/8"
GIRTS	L1-1/4" x 1-1/4" x 1/8"
BRACE BOLTS	(33) - 5/8"Ø
SPLICE BOLTS	(12) - 1/2"Ø
ANCHOR BOLTS	(4) - 3/4"Ø (C1018 THREADED ROD)
	(6) - 1/2"Ø
	-SHOP WELDED-
	GRADE 5
	A36
	*



AMERITE! <small>ESTABLISHED 1953</small>		
P.O. Box 29 Shelby, OH 44875		
Telephone	info@amertower.com www.amertower.com	Fax
(419) 347-1185	Since 1953	(419) 347-1654
TITLE 30' KA SERIES SELF SUPPORTING TOWER		
SIZE A	DWG NO 1437	SHT. # 1
DRAWN BY: RAS		DATE: 10/27/08