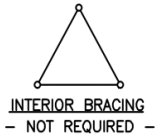
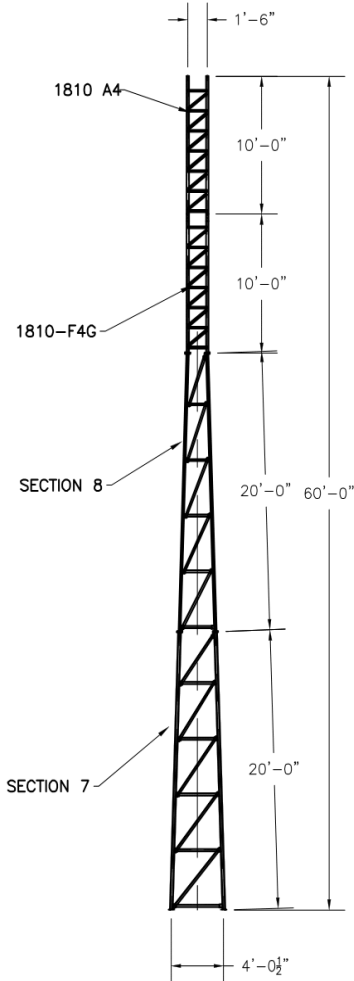


ASTM	
LEGS	2.0" x 10 GA
DIAGONALS	L3/4 x 3/4 x 1/8
GIRTS	L1 1/2 x 1 1/2 x 1/8
BRACE BOLTS	L1 1/4 x 1 1/4 x 1/8
SPICE BOLTS	(1)-5/8"φ
ANCHOR BOLTS	(4)-3/4"φ (C1018 THREADED ROD)
	(2)-1/2"φ
	(4)-1/2"φ
	1.9" x 0.145"
	L1 1/2 x 1 1/2 x 1/8
	L1 1/2 x 1 1/2 x 1/8
	(1)-5/8"φ
	(4)-1/2"φ
	2.0" x 10 GA
	L3/4 x 3/4 x 1/8
	L1 1/4 x 1 1/4 x 1/8
	-SHOP WELDED-
	GRADE 5
	A36
	*



According to ANSI/EIA-222-F 1996

90 mph/78 mph + 1/2" radial ice w/ (3 second gust) per OBC AND IBC				
	CaAa	Flat Plate Area	Weight	Elevation
No Ice	40.0 sq ft	22.22 sq ft	1200 lbs	60.0 ft
1/2" Ice	49.5 sq ft	27.50 sq ft	1600 lbs	60.0 ft
No Ice	71.5 sq ft	39.72 sq ft	900 lbs	60 ft to 30 ft
1/2" Ice	87.0 sq ft	48.33 sq ft	1700 lbs	60 ft to 30 ft
(1)-7/8" coax Elevation 0 ft to 60 ft				
Climbing Ladder Elevation 0 ft to 40 ft				

70 mph/61 mph + 1/2" radial ice (Fastest MPH) per EIA-222-F				
	CaAa	Flat Plate Area	Weight	Elevation
No Ice	42.0 sq ft	23.33 sq ft	1200 lbs	60.0 ft
1/2" Ice	52.0 sq ft	28.89 sq ft	1600 lbs	60.0 ft
No Ice	76.5 sq ft	42.50 sq ft	900 lbs	60 ft to 30 ft
1/2" Ice	93.0 sq ft	51.67 sq ft	1700 lbs	60 ft to 30 ft
(1)-7/8" coax Elevation 0 ft to 60 ft				
Climbing Ladder Elevation 0 ft to 40 ft				

AMERITE
P.O. Box 29 Shelby, Ohio 44875
www.amertower.com
info@amertower.com

Telephone (419) 347-1185 Fax (419) 347-1854
Since 1953

60" STANDARD

BY: DOW DATE: 12/21/02

DWG NO. 1063

NOTES:

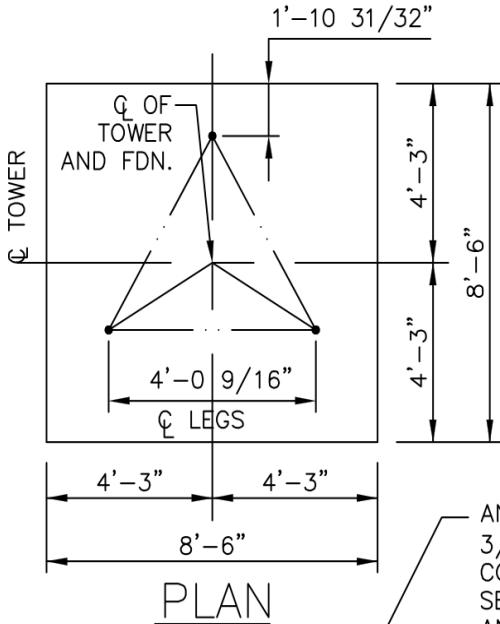
1. ALL CONCRETE SHALL HAVE A MINIMUM COMPRESSIVE STRENGTH OF 3000 PSI @ 28 DAYS.

2. REINFORCING STEEL SHALL CONFORM TO THE REQUIREMENTS OF ASTM A615 (GRADE 60).

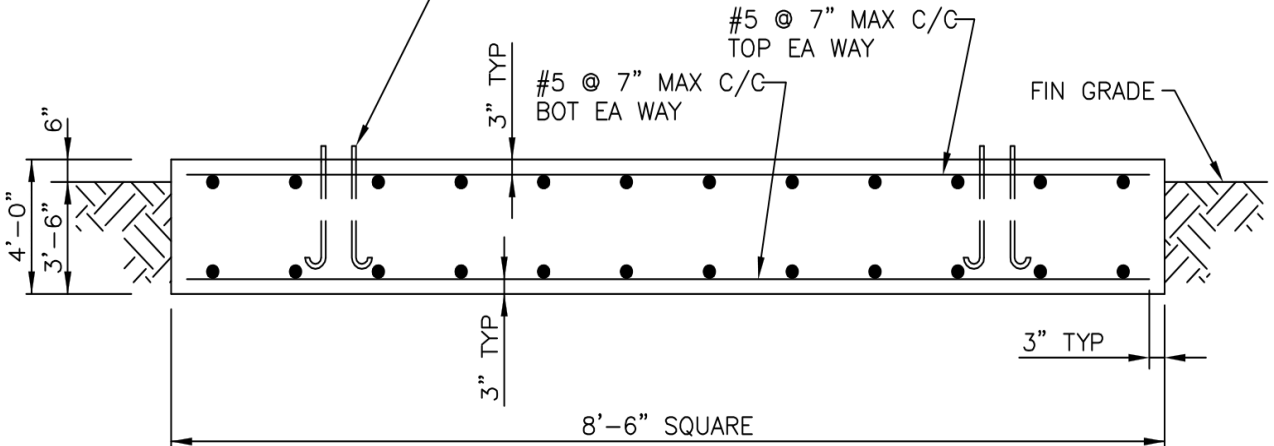
3. TOTAL CONCRETE = 10.7 CUBIC YARDS.

4. FOUNDATION DESIGN BASED UPON ASSUMED SOIL PARAMETERS AS FOLLOWS:

ALLOW BEARING PRESSURE: 2000 PSF
 UNIT SOIL WEIGHT: 100 PCF
 WATER AND ROCK LOCATED BELOW FOOTING



ANCHOR BOLTS BY AMERICAN TOWER, 3/4"φ x 3'-6" MIN EMBEDMENT INTO CONCRETE. 180° END HOOK PER ACI. SEE DRAWINGS BY AMERICAN TOWER FOR ANCHOR BOLT ORIENTATION.



MAT FOUNDATION

FOOTING MUST BEAR ON UNDISTURBED SOIL OR COMPACTED BACKFILL.



P.O. Box 29 Shelby, Ohio 44875
 www.amertower.com
 info@amertower.com

Telephone
 (419)347-1185

Since 1953

Fax
 (419) 347-1654

60' STANDARD FOUNDATION

BY: DOW

DATE: 12/21/02

DWG NO. 1063 A