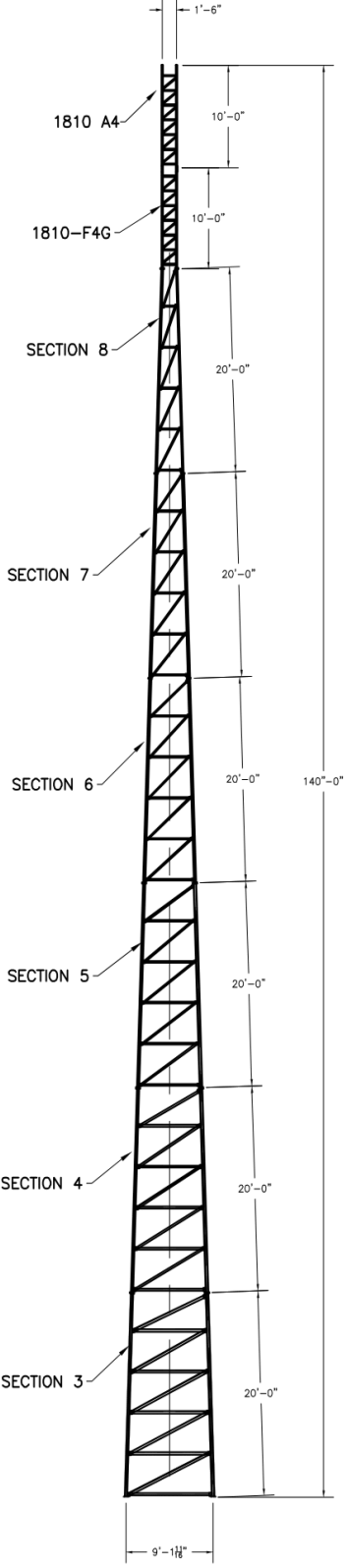


ASTM		*
LEGS	$2.875" \times 0.276"$	$15 \times 15 \times 1/2$ (1 1/2" SHRD. 40)
DIAGONALS	$L3 \times 3 \times 3/16$	$L1 \ 1/2 \times 1 \ 1/2 \times 1 \ 3/4 \times 1 \ 1/8$
GIRTS	$L3 \times 3 \times 3/16$	$L1 \ 1/2 \times 1 \ 1/2 \times 1 \ 3/4 \times 1 \ 1/8$
BRACE BOLTS	$(1) - 3/4"$	$L1 \ 1/2 \times 1 \ 1/2 \times 1 \ 3/4 \times 1 \ 1/8$
SPLICE BOLTS	$(4) - 1"$	$(4) - 1/2"$
ANCHOR BOLTS	$(4) - 3/4"$	$(4) - 5/8"$
		$(2) - 1/2"$
(C1018 THREADED ROD)		



According to ANSI/EIA-222-F 1996

90 mph/78 mph + 1/2" radial ice w/ (3 second gust) per OBC AND IBC				
	CaAa	Flat Plate Area	Weight	Elevation
No Ice	31 sq ft	17.22 sq ft	200 lbs	140 ft
1/2" Ice	38 sq ft	21.11 sq ft	350 lbs	140 ft
No Ice	52.5 sq ft	29.17 sq ft	350 lbs	140 ft to 110 ft
1/2" Ice	63.5 sq ft	35.28 sq ft	600 lbs	140 ft to 110 ft
(1)-7/8" coax Elevation 0 ft to 140 ft				
Climbing Ladder Elevation 0 ft to 120 ft				

70 mph/61 mph + 1/2" radial ice (Fastest MPH) per EIA-222-F				
	CaAa	Flat Plate Area	Weight	Elevation
No Ice	32 sq ft	17.78 sq ft	200 lbs	140 ft
1/2" Ice	38.5 sq ft	21.39 sq ft	350 lbs	140 ft
No Ice	54.5 sq ft	30.28 sq ft	350 lbs	140 ft to 110 ft
1/2" Ice	65.5 sq ft	36.39 sq ft	600 lbs	140 ft to 110 ft
(1)-7/8" coax Elevation 0 ft to 140 ft				
Climbing Ladder Elevation 0 ft to 120 ft				



AMERITE
P.O. Box 29 Shelby, Ohio 44875
www.amertower.com
info@amertower.com
Since 1953

Telephone: (419) 347-1185 Fax: (419) 347-1654

140' STANDARD

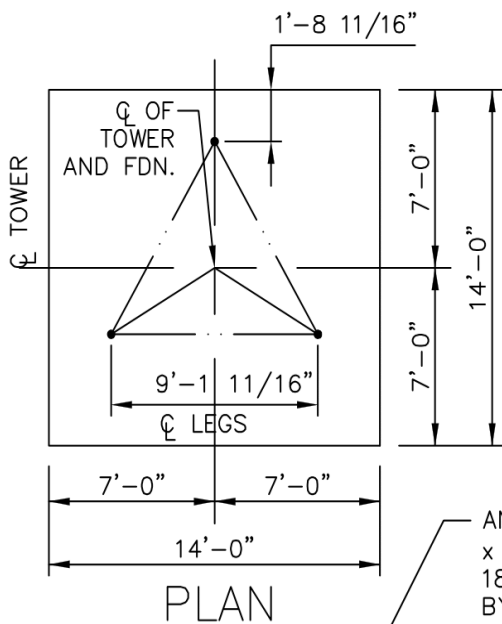
BY: DOW DATE: 12/21/02

DWG NO. 1059

NOTES:

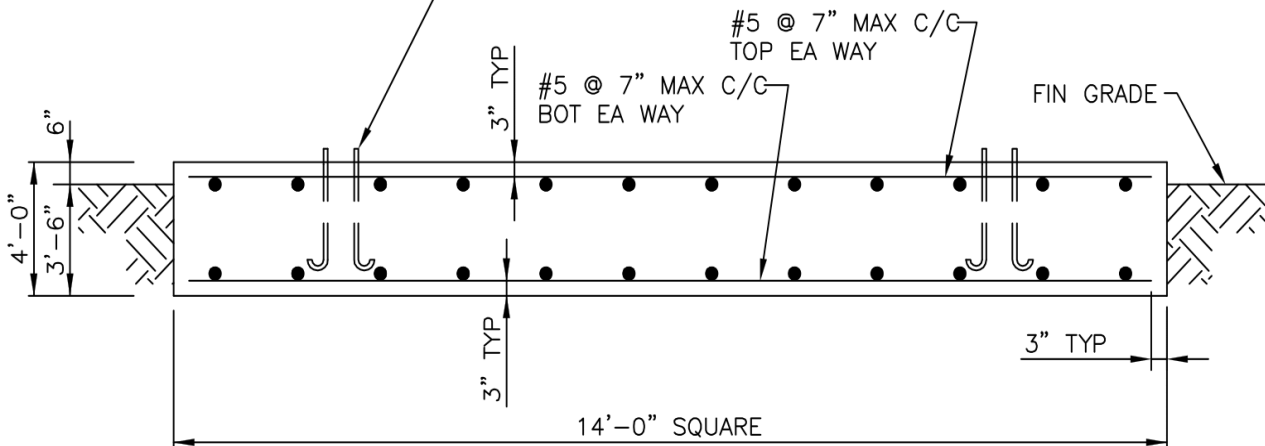
1. ALL CONCRETE SHALL HAVE A MINIMUM COMPRESSIVE STRENGTH OF 3000 PSI @ 28 DAYS.
2. REINFORCING STEEL SHALL CONFORM TO THE REQUIREMENTS OF ASTM A615 (GRADE 60).
3. TOTAL CONCRETE = 29.1 CUBIC YARDS.
4. FOUNDATION DESIGN BASED UPON ASSUMED SOIL PARAMETERS AS FOLLOWS:

ALLOW BEARING PRESSURE: 2000 PSF
 UNIT SOIL WEIGHT: 100 PCF
 WATER AND ROCK LOCATED BELOW FOOTING




PLAN

ANCHOR BOLTS BY AMERICAN TOWER, 1"Ø x 3'-6" MIN EMBEDMENT INTO CONCRETE. 180° END HOOK PER ACI. SEE DRAWINGS BY AMERICAN TOWER FOR ANCHOR BOLT ORIENTATION.



MAT FOUNDATION

FOOTING MUST BEAR ON UNDISTURBED SOIL OR COMPACTED BACKFILL.

 P.O. Box 29 Shelby, Ohio 44875 www.amertower.com info@amertower.com Since 1953		Fax (419) 347-1654
Telephone (419) 347-1185		
140' STANDARD FOUNDATION		
BY: DOW		DATE: 12/21/02
DWG NO. 1059 A		