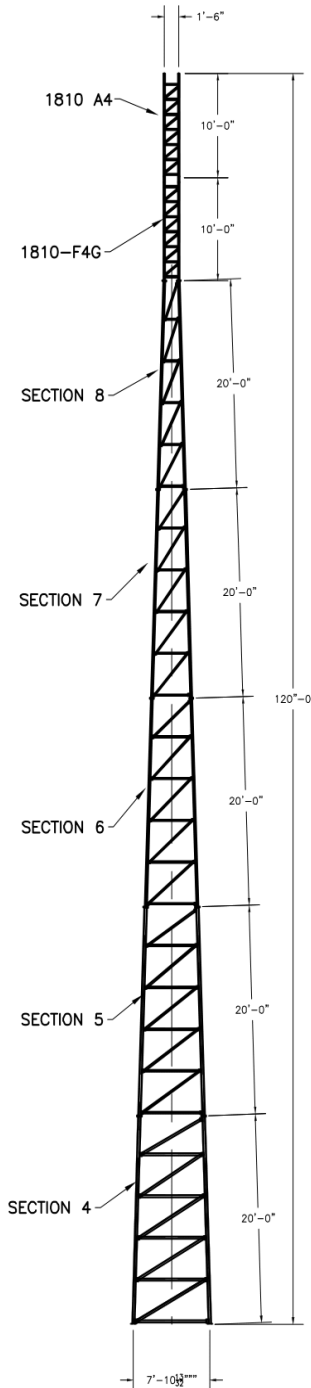


ASTM			
LEGS	2.875" x 0.276"	2.375" x 0.218"	1.9" x 0.145" (1 1/2" SHED. 40)
DIAGONALS	L2 1/2x2 1/2x3/16	L1 3/4 x 1 3/4 x 1/8	L3/4 x 3/4 x 1/8
GIRTS	L2 1/2x2 1/2x3/16	L1 3/4 x 1 3/4 x 1/8	L1 1/2x1 1/2x1/8
BRACE BOLTS	(4)-3/4"	(1)-5/8"	-SHOP WELDED-
SPLICE BOLTS	(4)-1"	(4)-5/8"	(2)-1/2"
ANCHOR BOLTS	(4)-3/4" (C1018 THREADED ROD)		GRADE 5



According to ANSI/EIA-222-F 1996

90 mph/78 mph + 1/2" radial ice w/ (3 second gust) per OBC AND IBC				
	CaAa	Flat Plate Area	Weight	Elevation
No Ice	32 sq ft	17.78 sq ft	200 lbs	120 ft
1/2" Ice	40 sq ft	22.22 sq ft	350 lbs	120 ft
No Ice	55.5 sq ft	30.83 sq ft	350 lbs	120 ft to 90 ft
1/2" Ice	67 sq ft	37.22 sq ft	600 lbs	120 ft to 90 ft
(1)-7/8" coax Elevation 0 ft to 120 ft				
Climbing Ladder Elevation 0 ft to 100 ft				

70 mph/61 mph + 1/2" radial ice (Fastest MPH) per EIA-222-F				
	CaAa	Flat Plate Area	Weight	Elevation
No Ice	33.9 sq ft	18.83 sq ft	200 lbs	120 ft
1/2" Ice	41 sq ft	22.78 sq ft	350 lbs	120 ft
No Ice	58 sq ft	32.22 sq ft	350 lbs	120 ft to 90 ft
1/2" Ice	70 sq ft	38.88 sq ft	600 lbs	120 ft to 90 ft
(1)-7/8" coax Elevation 0 ft to 120 ft				
Climbing Ladder Elevation 0 ft to 100 ft				



**AMERITE!**

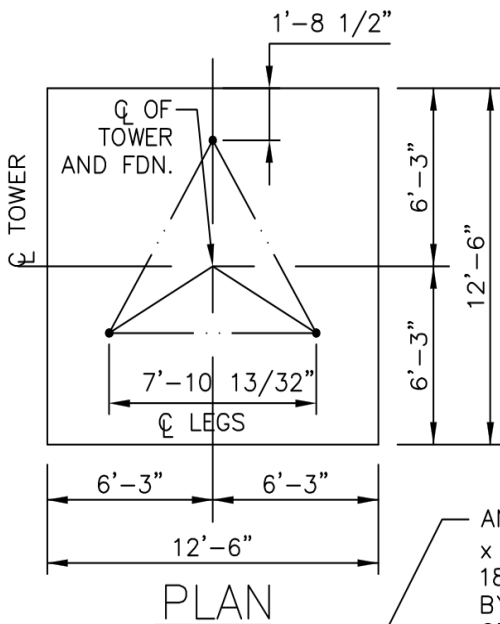
P.O. Box 29 Shelby, Ohio 44875  
www.amertower.com  
info@amertower.com

Telephone (419) 347-1185      Fax (419) 347-1654  
Since 1953

**120' STANDARD**

BY: DOW      DATE: 12/21/02

DWG NO. 1060

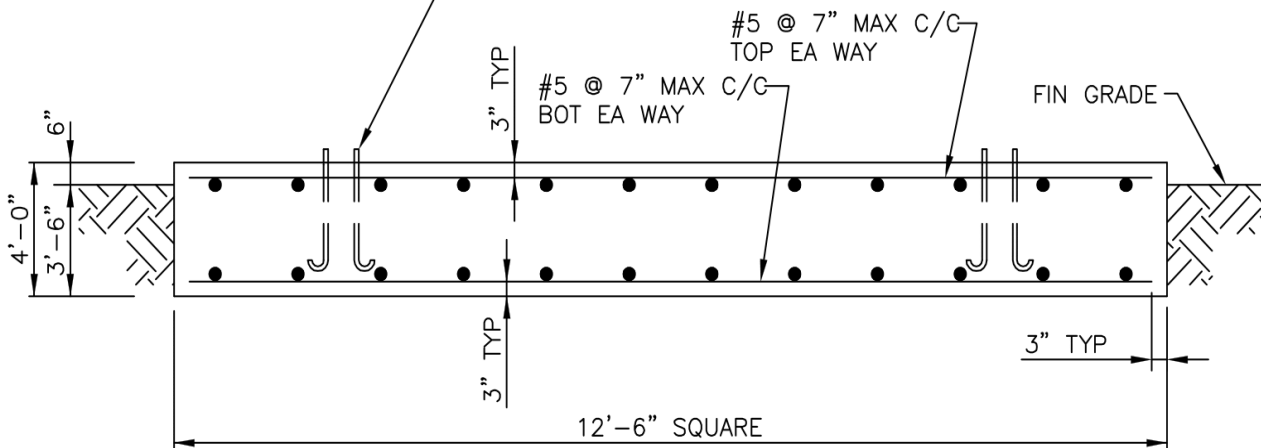


**NOTES:**

1. ALL CONCRETE SHALL HAVE A MINIMUM COMPRESSIVE STRENGTH OF 3000 PSI @ 28 DAYS.
2. REINFORCING STEEL SHALL CONFORM TO THE REQUIREMENTS OF ASTM A615 (GRADE 60).
3. TOTAL CONCRETE = 18 CUBIC YARDS.
4. FOUNDATION DESIGN BASED UPON ASSUMED SOIL PARAMETERS AS FOLLOWS:


ALLOW BEARING PRESSURE: 2000 PSF  
 UNIT SOIL WEIGHT: 100 PCF  
 WATER AND ROCK LOCATED BELOW FOOTING

ANCHOR BOLTS BY AMERICAN TOWER, 1"Ø x 3'-6" MIN EMBEDMENT INTO CONCRETE. 180° END HOOK PER ACI. SEE DRAWINGS BY AMERICAN TOWER FOR ANCHOR BOLT ORIENTATION.



**MAT FOUNDATION**

FOOTING MUST BEAR ON UNDISTURBED SOIL OR COMPACTED BACKFILL.

 P.O. Box 29 Shelby, Ohio 44875 www.amertower.com info@amertower.com Since 1953		Fax (419) 347-1654
Telephone (419) 347-1185		
<b>120' STANDARD FOUNDATION</b>		
BY: DOW	DATE: 12/21/02	
<b>DWG NO. 1060 A</b>		