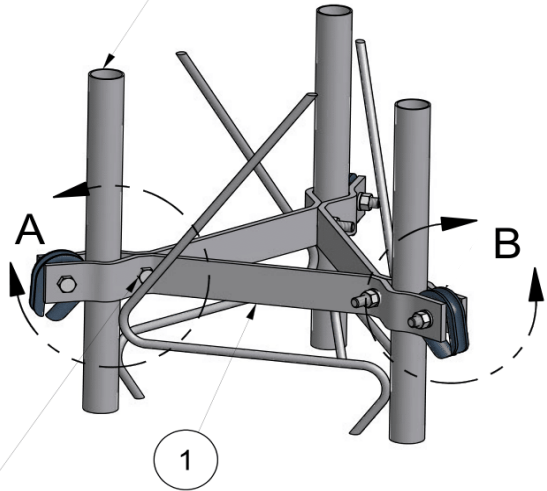
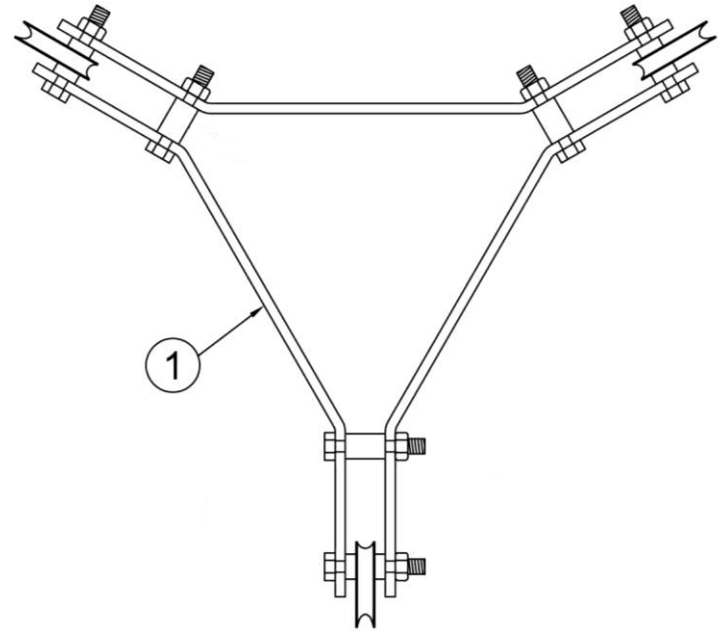


AMERITE 25 TOWER SECTION SHOWN FOR REF. ONLY



BOLTS TO BE INSERTED AS SHOWN,  
MUST NOT INTERFERE WITH TOWER DIAGONALS



P.O. Box 29 Shelby, Ohio 44875

Telephone  
(419) 347-1185

info@amertower.com  
www.amertower.com  
Since 1953

Fax  
(419) 347-1654

TITLE  
AMERITE 25 GUY BRACKET

ITEM	QTY	PART NUMBER	DESCRIPTION
1	3	1268	AMERITE 25 GUY BRACKET BAR
Parts List			

SIZE A	DWG NO 1269	SHT. # 1
DRAWN BY: DOW		DATE 4/23/2005