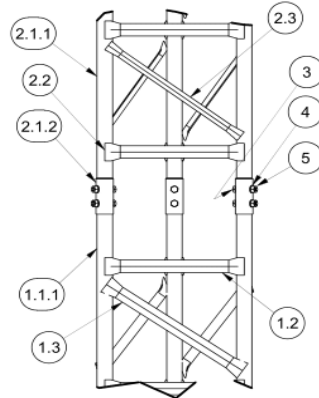


90mph/78 mph + 1/2" radial ice (3 second gust) per OBC and IBC				
	CaAa	Flat Plate Area	Weight	Elevation
No Ice	11.5 sq ft	6.38 sq ft	80 lbs	50.0 ft
1/2" Ice	12.0 sq ft	6.66 sq ft	120 lbs	50.0 ft
(1)-7/8" coax Elevation 0 ft to 50 ft				
70 mph/61 mph + 1/2" radial ice (Fastest MPH) per EIA-222-F				
	CaAa	Flat Plate Area	Weight	Elevation
No Ice	10.5 sq ft	5.38 sq ft	80 lbs	50.0 ft
1/2" Ice	9.0 sq ft	5.00 sq ft	120 lbs	50.0 ft
(1)-7/8" coax Elevation 0 ft to 50 ft				

INTERIOR BRACING
- NOT REQUIRED -

FOUNDATION REACTIONS

TOTAL MOMENT: 33.6 FT-KIPS
TOTAL SHEAR: 1 KIPS
TOTAL DOWNLOAD: 2 KIPS



DETAIL A

ITEM	QTY	PART #	DESCRIPTION
5	24	-	A325 1/2 - 13 Hex Nut
4	24	-	1/2 WASHER A325
3	24	-	A325 1/2-13 UNC x 3 LG
2.3	18	1196	0.75 x 0.75 x 3/16 A36 ANGLE - DIAGONAL
2.2	21	1195	1.25 x 1.25 x 3/16 A36 ANGLE - HORIZONTAL
2.1.2	1	1192	2 1/4"O.D. x 1/8 WALL x 0'-5, A-513 (50 kpsi MIN YIELD)
2.1.1	1	1191	2"O.D. x 10 GA. (.134) x 10'-0, A-513 (50 kpsi MIN YIELD)
2.1	3	1193	LEG WELDMENT
2	4	1194	1810-A4 MID-SECTION
1.3	18	1197	1.25 x 1.25 x 3/16 A36 ANGLE - DIAGONAL
1.2	21	1195	1.25 x 1.25 x 3/16 A36 ANGLE - HORIZONTAL
1.1.2	1	1199	FOOT PAD
1.1.1	1	1198	2"O.D. x 10 GA. (.134) x 9'-11 11/16, A-513 (50 kpsi MIN YIELD)
1.1	3	1200	LEG WELDMENT
1	1	1201	1810-F4G TOWER BASE

Parts List

REV	DATE	DESCRIPTION
A	2/12/2005	REDRAWN

REVISION HISTORY

AMERITE
CORPORATION

P.O. Box 29 Shelby, Ohio 44875
info@amertower.com
Telephone (419) 347-1185 www.amertower.com Fax (419) 347-1654
Since 1953

TITLE
50' FREE STANDING 1810
18" TRIANGULAR STEEL TOWER

SIZE B	DWG NO 1164	SHT. # 1
-----------	----------------	-------------

DRAWN BY: _____ DATE 1/22/2005