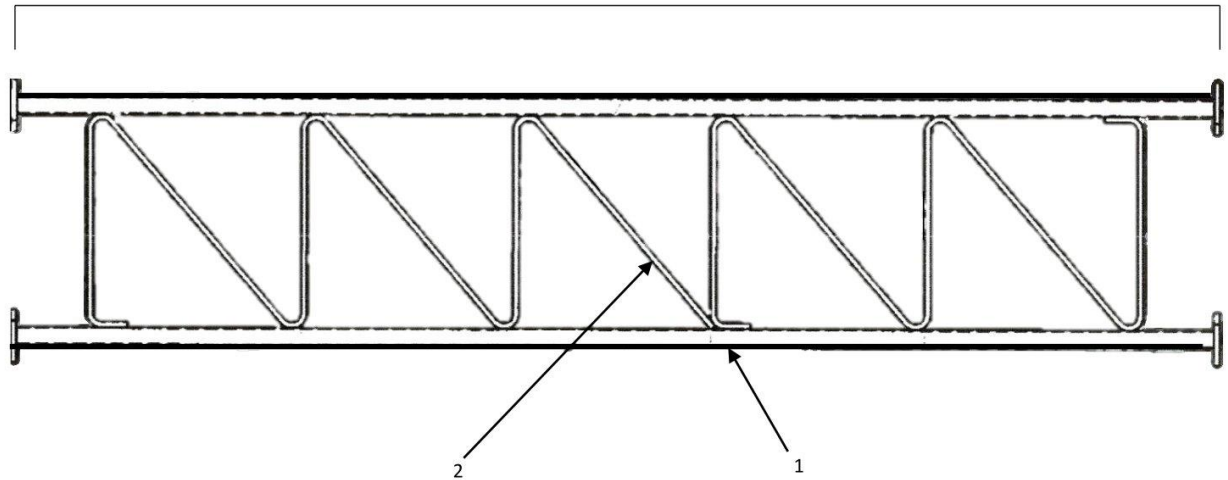
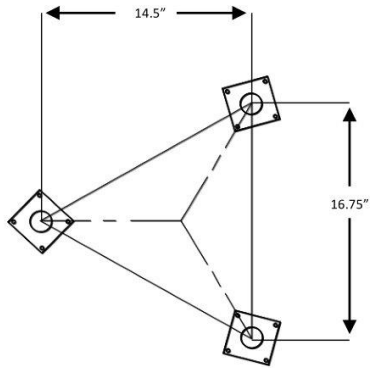


10'



ISO 9001 - 2000
P.O. Box 29 Shelby, OH 44875

Telephone
(419) 347-1185

info@amertower.com
www.amertower.com
Since 1953

Fax
(419) 347-1654

AME 45S-10 SOLID ROD/LEG TOWER, 10 FEET

2	3	SOLID ROD
1	3	1.25" O.D. SOLID ROD
ITEM	QTY	DESCRIPTION

SIZE A	DWG NO 0004	SHT. # 1
-----------	----------------	-------------

MATERIAL LIST		DRAWN BY: A.M.C.	DATE 05/19/23
---------------	--	------------------	------------------