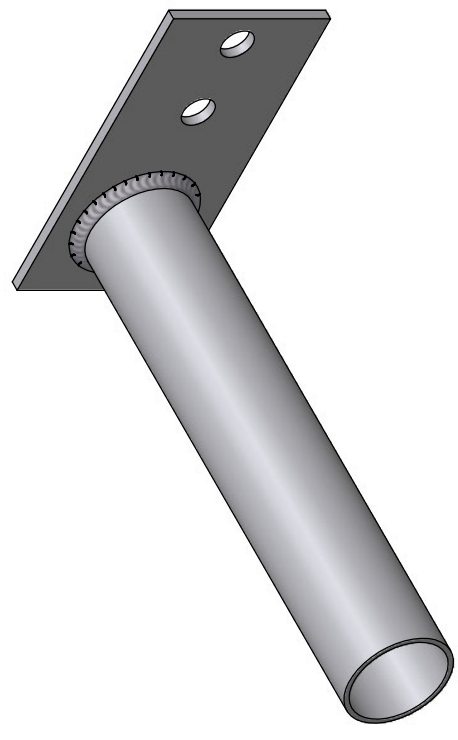
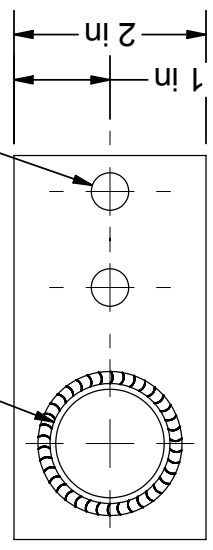


q 1 1/4 in x 16 GA TUBE

q 25/64 in TYP.



AMERICAN TOWER COMPANY

ISO 9001-2000

P.O. Box 29 Shelby, Ohio 44875

info@amertower.com

Fax

(419) 347-1654

Telephone

(419) 347-1185

www.amertower.com

Since 1953

TITLE

MOTOR MOUNT (MM)

SIZE

A

DWG NO

1112

REV

DRAWN BY:

DOW

DATE 5/31/2003