

HOUSE BRACKET	A	B	C
B-306	6 in	4 1/4 in	-
B-312	12 in	7 in	4 in
B-318	18 in	12 in	4 in
B-324	24 in	17 in	3 3/4 in
B-330	30 in	24 in	4 1/2 in
B-336	36 in	30 3/4 in	4 1/2 in

B-306 1 1/4 inq x 16 GA. TUBE

ALL OTHERS 1 1/2 inq x 16 GA. TUBE

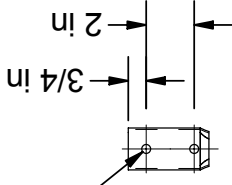
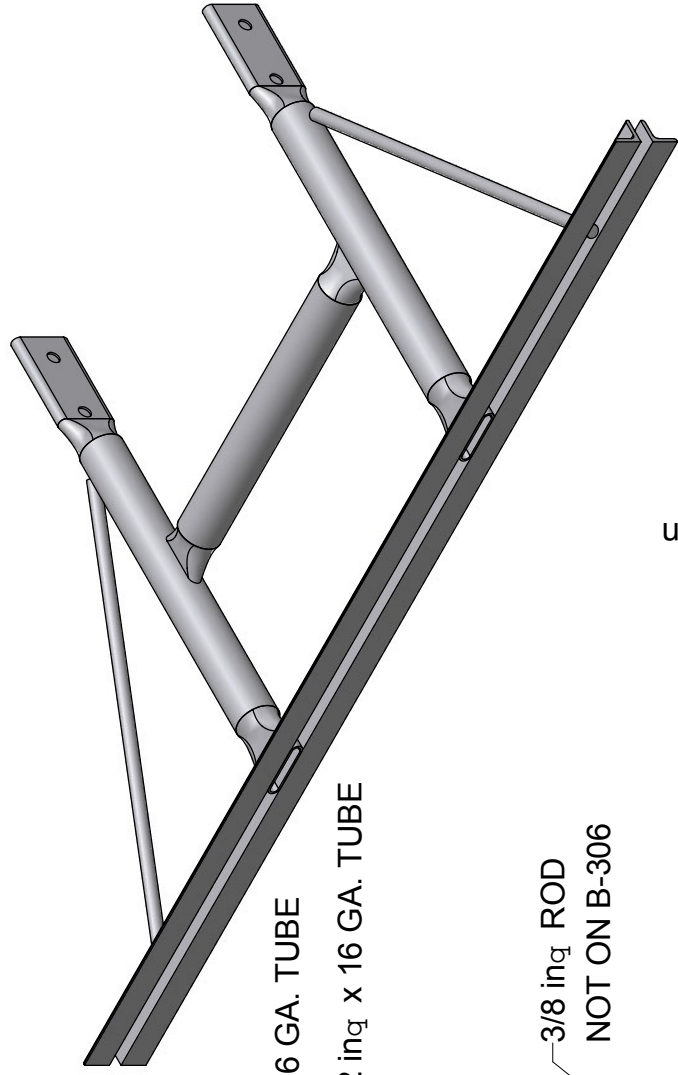
1 1/4 inq x 16 GA.  
TUBE

3/8 inq ROD  
NOT ON B-306

3/8 in THRU.  
(4 PLACES)

3/4 in x 3/4 in x 1/8 in ANGLE

34 in



SECTION A-A

AMERICAN TOWER COMPANY  
ISO 9001-2000

P.O. Box 29 Shelby, Ohio 44875

Telephone info@amertower.com

(419) 347-1185 www.amertower.com

Since 1953

Fax

(419) 347-1654

TITLE  
B-3 SERIES HOUSE BRACKETS

SIZE  
A

DWG NO  
1072

REV

DRAWN BY: DOW

DATE 4/22/2003