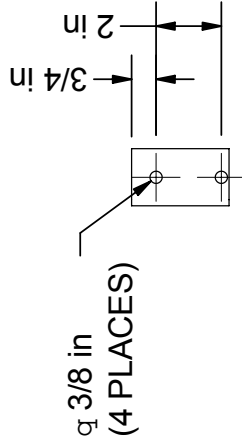
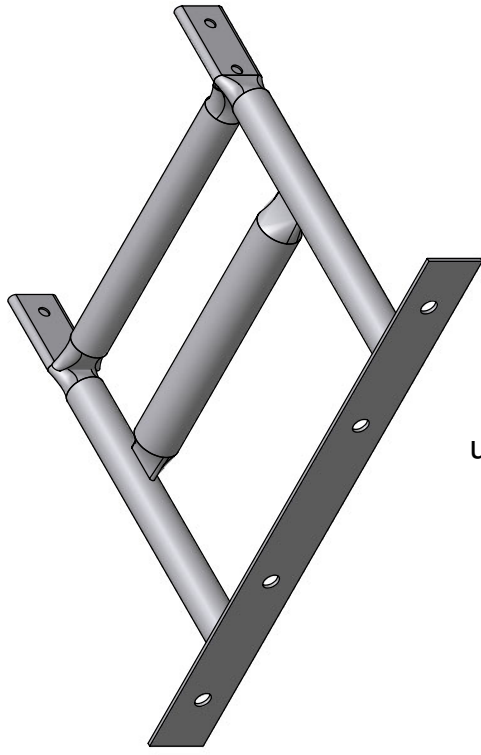
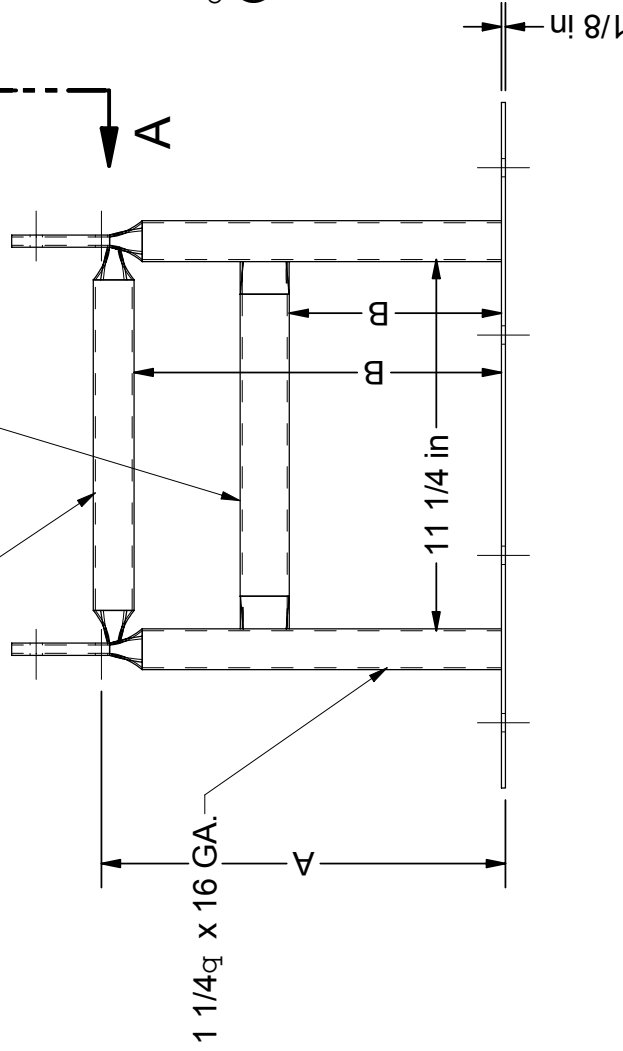


HOUSE BRACKET	A	B
B-106	6	5
B-112	12	6 1/2
B-118	18	12

FOR B-106 ONLY,  
1 1/4<sub>g</sub> x 16 GA.

1 1/2<sub>g</sub> x 16 GA.  
B-112, B-118



VIEW A-A

AMERICAN TOWER COMPANY  
ISO 9001-2000

P.O. Box 29 Shelby, Ohio 44875

info@amertower.com

www.amertower.com

Telephone

(419) 347-1185

Fax

(419) 347-1654

TITLE

B-1 SERIES HOUSE BRACKETS

SIZE

A

DWG NO

1096

REV

DRAWN BY:

DOW

DATE 5/24/2003