

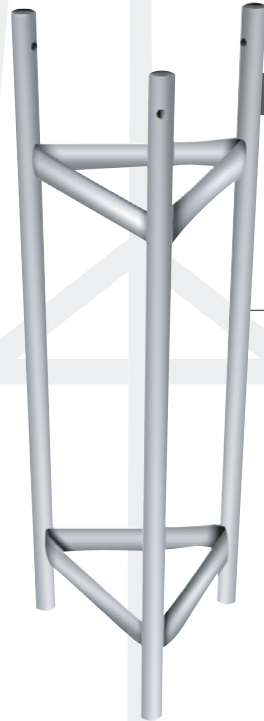
Special Communication Tower

Top Section & Accessories



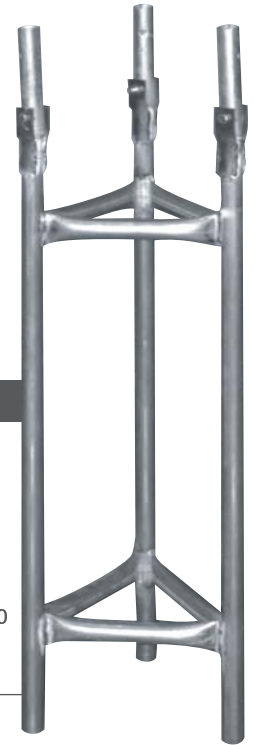
S-7 Top

Top Tube:
1 7/8" O.D. x 16 gauge
Projection: 6"
Overall Length: 11 3/4"
2 - 3/8" screws



F-2 3' Base Section

For installing in
concrete or in
ground trench



F-2 Tilt Tilt Base

For installation
below ground
with concrete.
Top is hinged so
that tower may
be lowered



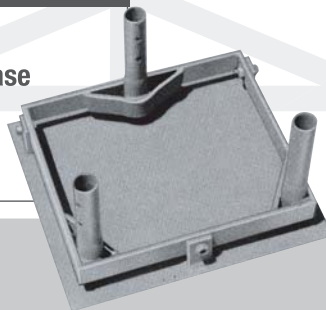
DIB Drive-In Base

12" x 14 1/2" plate
with drive tube



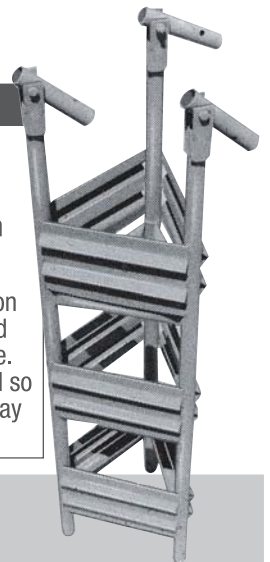
RP-1 Roof Plate

12" x 14 1/2"
For flat roof, concrete pad
& guyed tower installation



SRP-1 Hinged Base

For flat roof
or concrete
pad



F-4 Ground Foundation Base

For installation
below ground
with concrete.
Top is hinged so
that tower may
be lowered