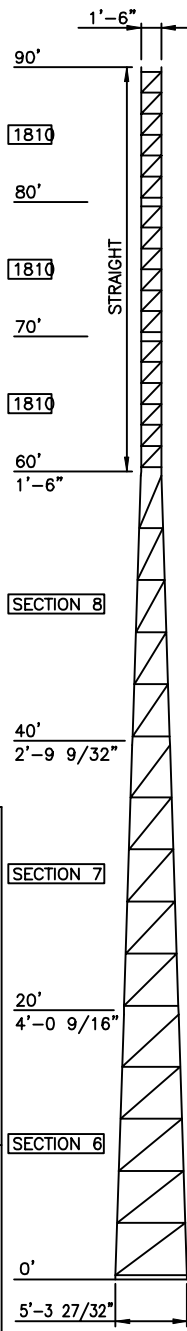
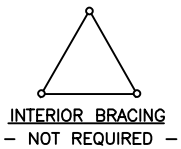


ASTM	
*	A36
GRADE	5
LEGS	2.0" x 10 GA
DIAGONALS	L3/4 x 3/4 x 1/8
GIRTS	L1 1/4 x 1 1/4 x 1/8
BRACE BOLTS	-SHOP WELDED-
SPLICE BOLTS	(2)-1/2"
ANCHOR BOLTS	(4)-1/2"
LEGS	1.9" x 0.145"
DIAGONALS	L1 1/2 x 1 1/2 x 1/8
GIRTS	L1 1/2 x 1 1/2 x 1/8
BRACE BOLTS	(1)-5/8"
SPLICE BOLTS	(4)-7/8" (C1018 THREADED ROD)
ANCHOR BOLTS	(4)-7/8" (C1018 THREADED ROD)



\* PIPE LEGS 42 KSI MIN YIELD  
 10 GA TUBE LEGS 30 KSI MIN YIELD



FOUNDATION REACTIONS  
 TOTAL MOMENT: 128 FT-KIPS  
 TOTAL SHEAR: 3 KIPS  
 TOTAL DOWNLOAD: 5 KIPS

According to ANSI/EIA-222-F 1996

90 mph/78 mph + 1/2" radial ice w/ (3 second gust) per OBC AND IBC				
	CaAa	Flat Plate Area	Weight	Elevation
No Ice	19.0 sq ft	10.56 sq ft	600 lbs	90.0 ft
1/2" Ice	20.0 sq ft	11.11 sq ft	1000 lbs	90.0 ft
No Ice	29.0 sq ft	16.11 sq ft	700 lbs	90 ft to 60 ft
1/2" Ice	30.0 sq ft	16.67 sq ft	1200 lbs	90 ft to 60 ft
(1)-7/8" coax Elevation 0 ft to 90 ft				
Climbing Ladder Elevation 0 ft to 60 ft				

70 mph/61 mph + 1/2" radial ice (Fastest MPH) per EIA-222-F				
	CaAa	Flat Plate Area	Weight	Elevation
No Ice	19.0 sq ft	10.56 sq ft	600 lbs	90.0 ft
1/2" Ice	20.0 sq ft	11.11 sq ft	1000 lbs	90.0 ft
No Ice	29.0 sq ft	16.11 sq ft	700 lbs	90 ft to 60 ft
1/2" Ice	30.0 sq ft	16.67 sq ft	1200 lbs	90 ft to 60 ft
(1)-7/8" coax Elevation 0 ft to 90 ft				
Climbing Ladder Elevation 0 ft to 60 ft				

AMERICAN TOWER COMPANY  
 ISO 9001-2000  
 P.O. Box 29 Shelby, Ohio 44875  
 www.amertower.com  
 info@amertower.com  
 Since 1953

Telephone (419) 347-1185 Fax (419) 347-1654

90' STANDARD

BY: DOW DATE: 08/12/03

DWG NO. 1135

NOTES:

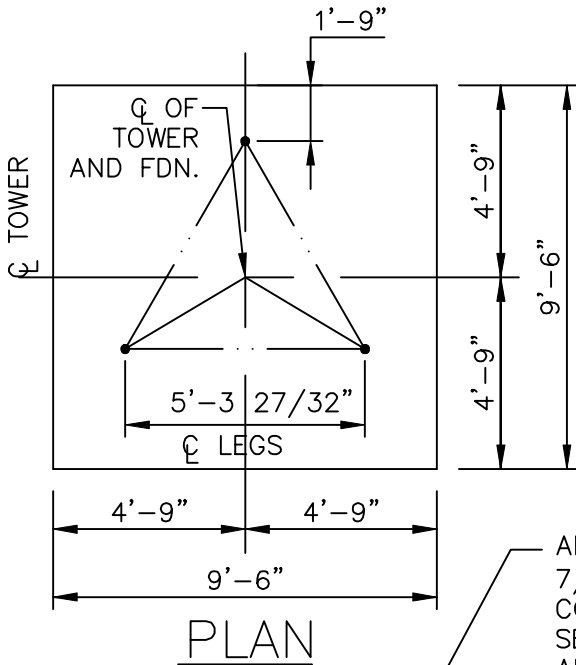
1. ALL CONCRETE SHALL HAVE A MINIMUM COMPRESSIVE STRENGTH OF 3000 PSI @ 28 DAYS.

2. REINFORCING STEEL SHALL CONFORM TO THE REQUIREMENTS OF ASTM A615 (GRADE 60).

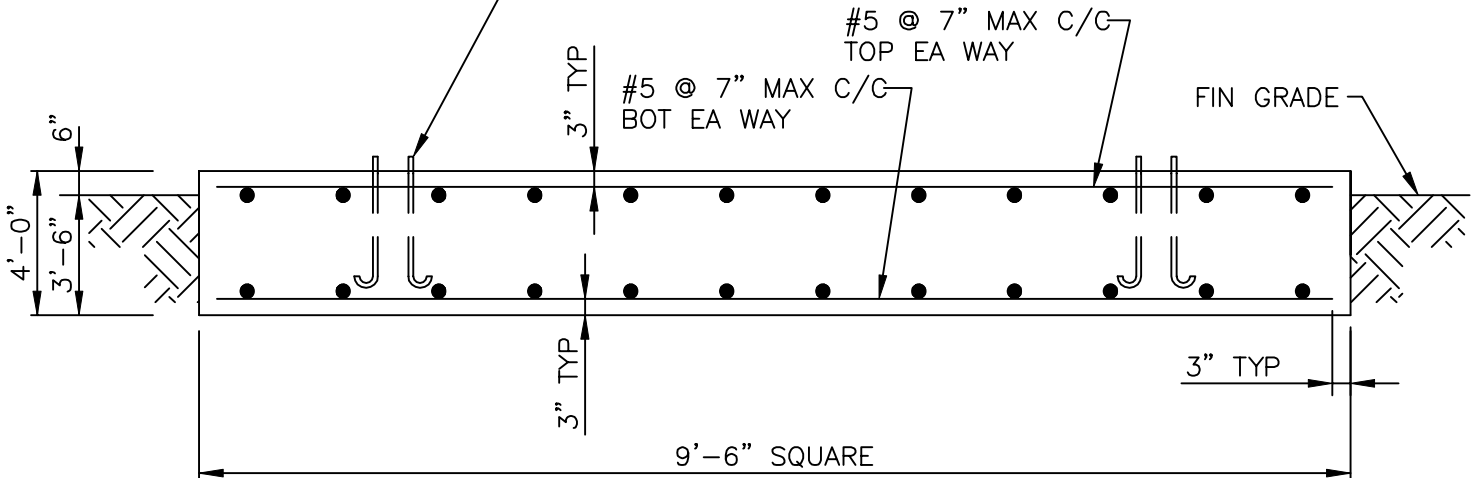
3. TOTAL CONCRETE = 13.4 CUBIC YARDS.

4. FOUNDATION DESIGN BASED UPON ASSUMED SOIL PARAMETERS AS FOLLOWS:

ALLOW BEARING PRESSURE: 2000 PSF  
 UNIT SOIL WEIGHT: 100 PCF  
 WATER AND ROCK LOCATED BELOW FOOTING



ANCHOR BOLTS BY AMERICAN TOWER,  
 7/8"Ø x 3'-6" MIN EMBEDMENT INTO  
 CONCRETE. 180° END HOOK PER ACI.  
 SEE DRAWINGS BY AMERICAN TOWER FOR  
 ANCHOR BOLT ORIENTATION.



MAT FOUNDATION

FOOTING MUST BEAR ON  
 UNDISTURBED SOIL OR  
 COMPACTED BACKFILL.

<b>AMERICAN TOWER COMPANY</b> ISO 9001-2000 P.O. Box 29 Shelby, Ohio 44875 www.amertower.com info@amertower.com Telephone (419)347-1185 Since 1953 Fax (419) 347-1654	
90' STANDARD FOUNDATION	
BY: DOW	DATE: 08/12/03
DWG NO. 1135 A	