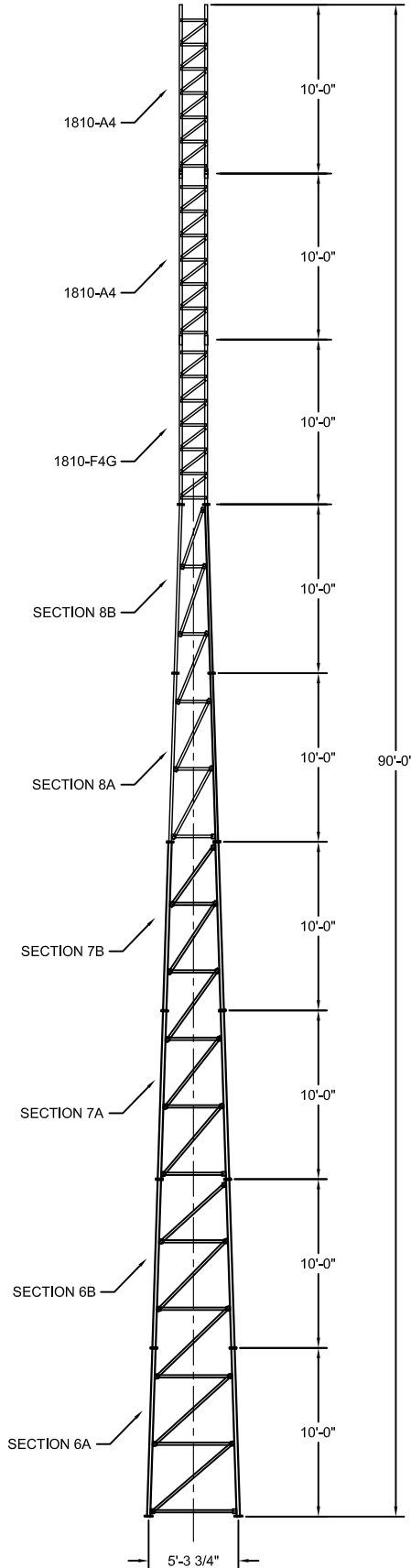


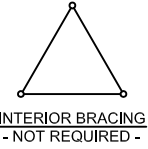
* PIPE LEGS 42 KSI MIN YIELD
 10 GA H.S. TUBE LEGS 50 KSI MIN YIELD

ASTM	
*	
A36	2.0" x 10 GA
GRADE 5	L3/4" x 3/4" x 1/8" L1-1/4" x 1-1/4" x 1/8" -SHOP WELDED-
	(6) - 1/2"Ø
	1.9" x 0.145"
	L1-1/2" x 1-1/2" x 1/8" L1-1/2" x 1-1/2" x 1/8" (33) - 5/8"Ø
	(12) - 1/2"Ø
	2.375" x 0.154"
	L1-3/4" x 1-3/4" x 1/8" L1-3/4" x 1-3/4" x 1/8" (33) - 5/8"Ø
	(12) - 1/2"Ø
	2.375" x 0.218"
	L1-3/4" x 1-3/4" x 1/8" L1-3/4" x 1-3/4" x 1/8" (33) - 5/8"Ø
	(4) - 7/8"Ø (C1018 THREADED ROD)
LEGS	
DIAGONALS	
GIRTS	
BRACE BOLTS	
SPICE BOLTS	
ANCHOR BOLTS	

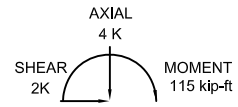


According to ANSI/EIA-222-F 1996

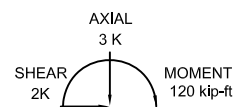
	CaAa	Flat Plate Area	Weight	Elevation
No Ice	22.5 sq ft	12.5 sq ft	100 lbs.	90.0 ft.
1/2" Ice	18 sq ft	10 sq ft	150 lbs.	90.0 ft.
(1) - 7/8" coax Elevation 0 ft to 90 ft				
Climbing Ladder Elevation 0 ft to 60 ft				



MAX. CORNER REACTIONS AT BASE:
 DOWN: 27 K
 UPLIFT: -24 K
 SHEAR: 2 K



TORQUE 0 kip-ft
 60.62 mph WIND - 0.50 in ICE



TORQUE 0 kip-ft
 REACTIONS - 70.00 mph WIND

AMERICAN TOWER COMPANY
 ISO 9001 - 2000
 P.O. Box 29 Shelby, OH 44875
 Telephone info@amertower.com Fax
 (419) 347-1185 Since 1953 (419) 347-1654

TITLE 90' KA SERIES
 SELF SUPPORTING TOWER

SIZE A DWG NO 1443 SHT. # 1
 DRAWN BY: RAS DATE: 10/27/08

NOTES:

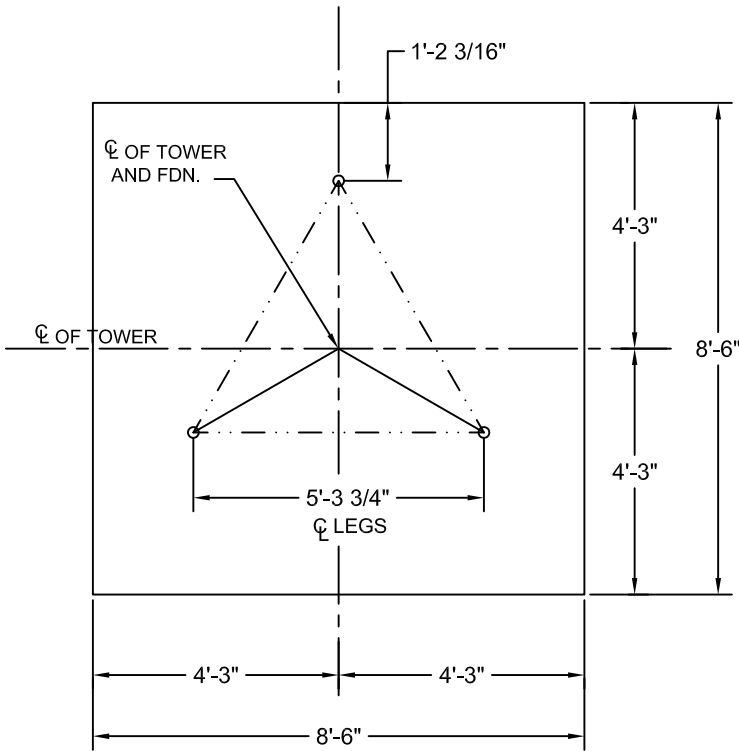
1. ALL CONCRETE SHALL HAVE A MINIMUM COMPRESSIVE STRENGTH OF 3000 PSI @ 28 DAYS

2. REINFORCING STEEL SHALL CONFORM TO THE REQUIREMENTS OF ASTM A615 (GRADE 60).

3. TOTAL CONCRETE = 10.7 CUBIC YARDS.

4. FOUNDATION DESIGN BASED UPON THE FOLLOWING:

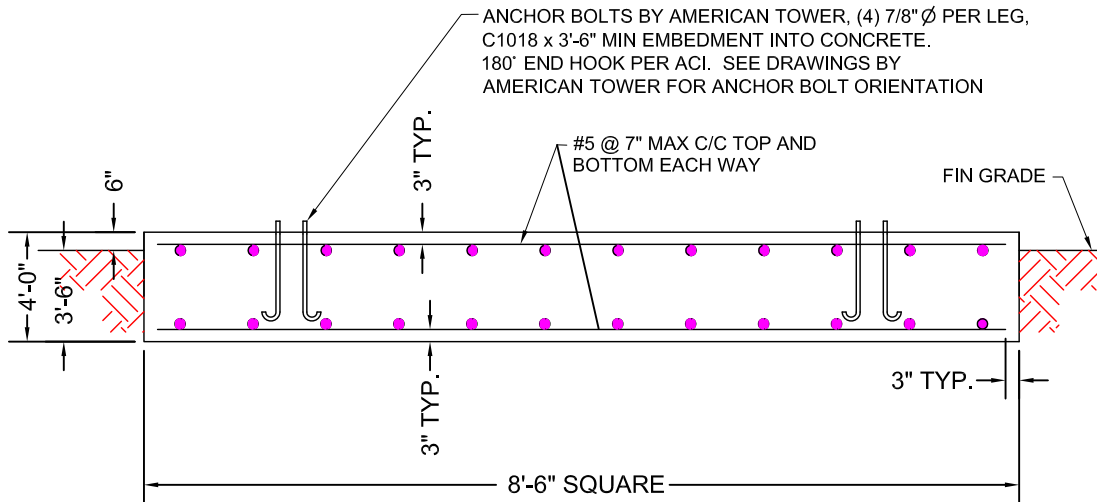
ALLOW BEARING PRESSURE: 2000 PSF
 UNIT WEIGHT: 100 PCF
 WATER AND ROCK LOCATED BELOW FOOTING



PLAN

FOOTING MUST BEAR ON UNDISTURBED SOIL OR COMPACTED BACKFILL.

HORIZ. = 2k
 COMP. = 2k
 OTM = 120k-ft.



MAT FOUNDATION

AMERICAN TOWER COMPANY			
ISO 9001 - 2000			
P.O. Box 29 Shelby, OH 44875			
Telephone	info@amertower.com	www.amertower.com	Fax
(419) 347-1185	Since 1953		(419) 347-1654
TITLE			
90' KA SERIES FOUNDATION			
SIZE	DWG NO	SHT. #	
A	1443A	2	
DRAWN BY: RAS			DATE: 10/27/08