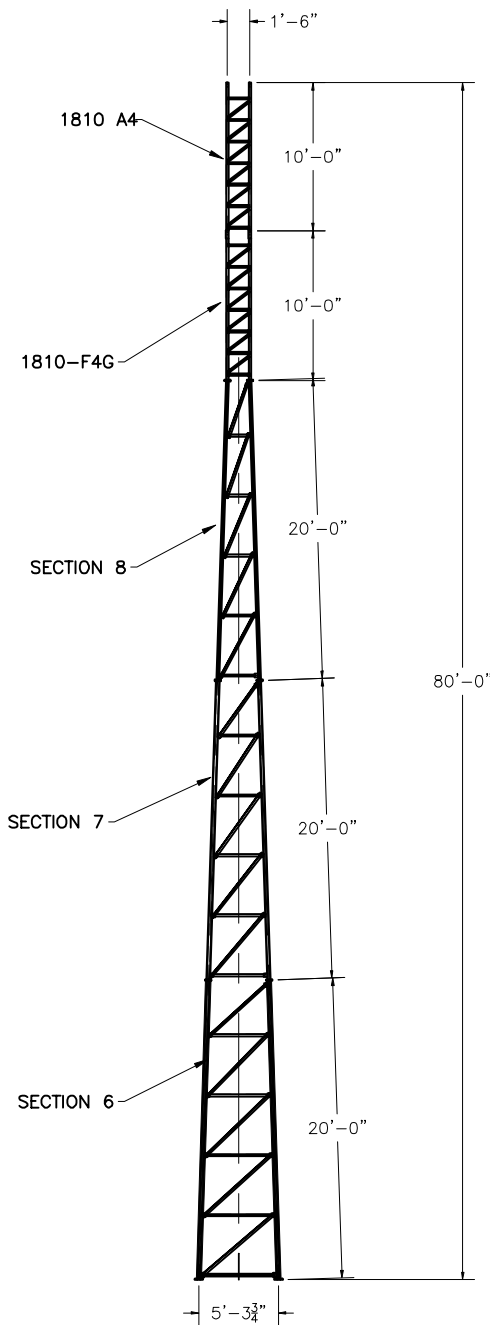


		ASTM	
LEGS	2.375" x 0.218"	2.375" x 0.154"	1.9" x 0.145"
DIAGONALS	L1 3/4 x 1 3/4 x 1/8	L1 1/2 x 1 1/2 x 1/8	L3/4 x 3/4 x 1/8
GIRTS	L1 3/4 x 1 3/4 x 1/8	L1 1/2 x 1 1/2 x 1/8	L1 1/4 x 1 1/4 x 1/8
BRACE BOLTS	(1)-5/8"	(4)-1/2"	(2)-1/2"
SPICE BOLTS	(4)-7/8" (C1018 THREADED ROD)		
ANCHOR BOLTS			
		2.0" x 10 GA	
		A36	
		GRADE 5	
		-SHOP WELDED-	



According to ANSI/EIA-222-F 1996  
90 mph/78 mph + 1/2" radial ice w/ (3 second gust) per OBC AND IBC

	CaAa	Flat Plate Area	Weight	Elevation
No Ice	37.0 sq ft	20.56 sq ft	800 lbs	80.0 ft
1/2" Ice	45.0 sq ft	25.00 sq ft	1200 lbs	80.0 ft
No Ice	64.0 sq ft	35.56 sq ft	750 lbs	80 ft to 50 ft
1/2" Ice	78.0 sq ft	43.33 sq ft	1400 lbs	80 ft to 50 ft
(1)-7/8" coax Elevation 0 ft to 80 ft				
Climbing Ladder Elevation 0 ft to 60 ft				

70 mph/61 mph + 1/2" radial ice (Fastest MPH) per EIA-222-F

	CaAa	Flat Plate Area	Weight	Elevation
No Ice	38.5 sq ft	21.39 sq ft	800 lbs	80.0 ft
1/2" Ice	47.0 sq ft	26.11 sq ft	1200 lbs	80.0 ft
No Ice	68.0 sq ft	37.78 sq ft	750 lbs	80 ft to 50 ft
1/2" Ice	82.0 sq ft	45.56 sq ft	1400 lbs	80 ft to 50 ft
(1)-7/8" coax Elevation 0 ft to 80 ft				
Climbing Ladder Elevation 0 ft to 60 ft				

\* PIPE LEGS 42 KSI MIN YIELD  
10 GA TUBE LEGS 30 KSI MIN YIELD



INTERIOR BRACING  
- NOT REQUIRED -

FOUNDATION REACTIONS  
TOTAL MOMENT: 149 FT-KIPS  
TOTAL SHEAR: 3 KIPS  
TOTAL DOWNLOAD: 5 KIPS

AMERICAN TOWER COMPANY  
ISO 9001-2000  
P.O. Box 29 Shelby, Ohio 44875  
www.amertower.com  
info@amertower.com  
Since 1953

Telephone (419) 347-1185 Fax (419) 347-1654

80' STANDARD

BY: DOW DATE: 12/21/02

DWG NO. 1062

**NOTES:**

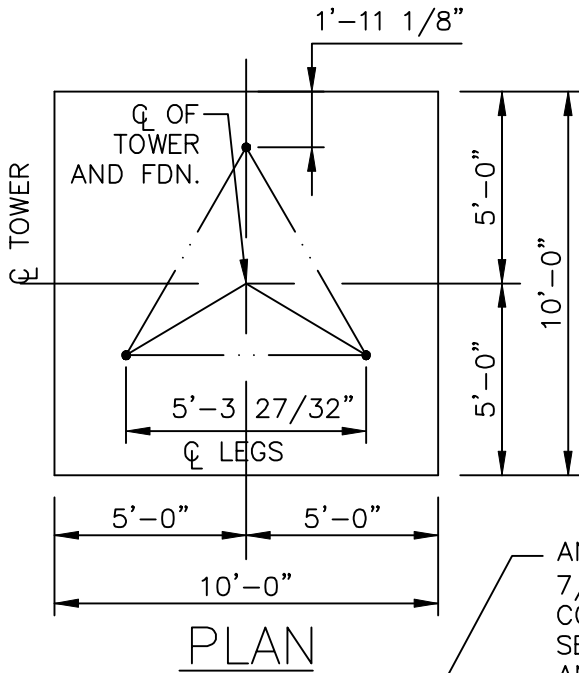
1. ALL CONCRETE SHALL HAVE A MINIMUM COMPRESSIVE STRENGTH OF 3000 PSI @ 28 DAYS.

2. REINFORCING STEEL SHALL CONFORM TO THE REQUIREMENTS OF ASTM A615 (GRADE 60).

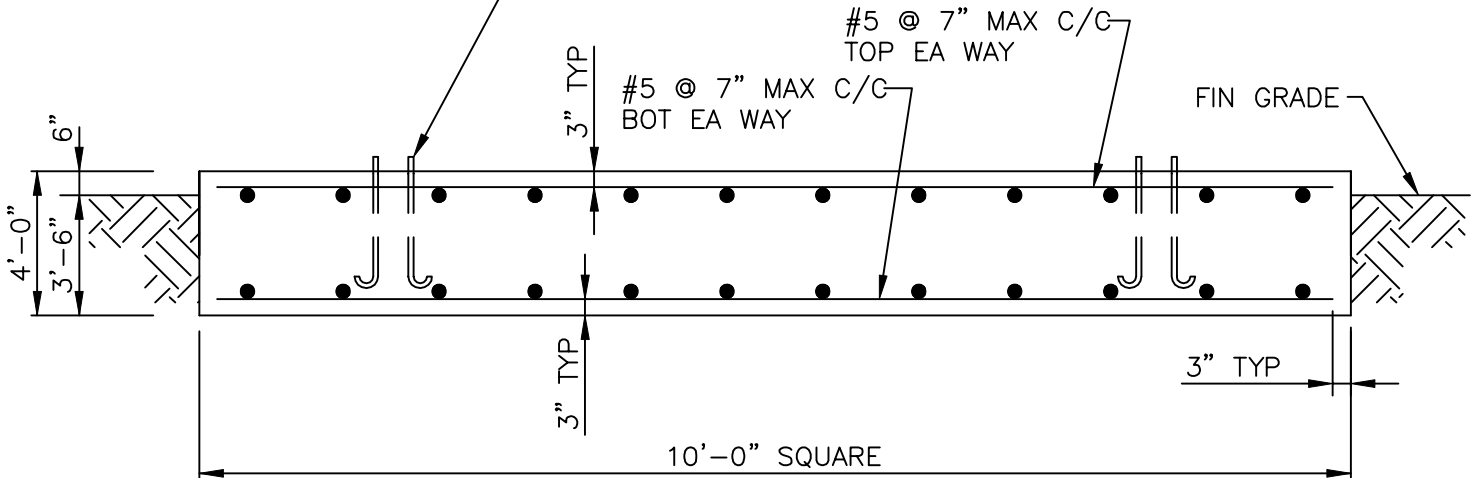
3. TOTAL CONCRETE = 14.9 CUBIC YARDS.

4. FOUNDATION DESIGN BASED UPON ASSUMED SOIL PARAMETERS AS FOLLOWS:

ALLOW BEARING PRESSURE: 2000 PSF  
 UNIT SOIL WEIGHT: 100 PCF  
 WATER AND ROCK LOCATED BELOW FOOTING



ANCHOR BOLTS BY AMERICAN TOWER, 7/8"φ x 3'-6" MIN EMBEDMENT INTO CONCRETE. 180° END HOOK PER ACI. SEE DRAWINGS BY AMERICAN TOWER FOR ANCHOR BOLT ORIENTATION.



**MAT FOUNDATION**

FOOTING MUST BEAR ON UNDISTURBED SOIL OR COMPACTED BACKFILL.

<b>AMERICAN TOWER COMPANY</b> ISO 9001-2000 P.O. Box 29 Shelby, Ohio 44875 www.amertower.com info@amertower.com Telephone (419)347-1185 Since 1953 Fax (419) 347-1654	
80' STANDARD FOUNDATION	
BY: DOW	DATE: 12/21/02
DWG NO. 1062 A	