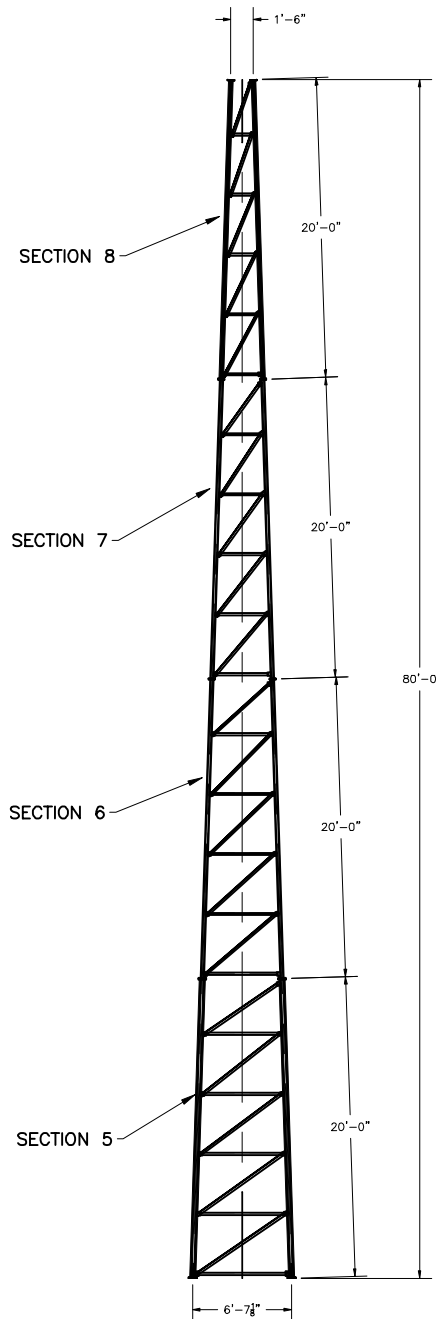


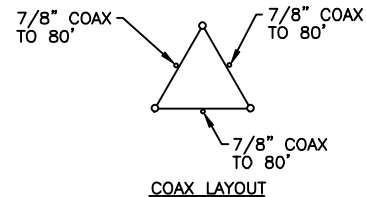
ASTM	
LEGS	2.875" x 0.203" L2 x 2 x 1/8
DIAGONALS	2.375" x 0.218" L1 3/4 x 1 3/4 x 1/8
GIRTS	2.375" x 0.154" L1 1/2 x 1 1/2 x 1/8
BRACE BOLTS	1.9" x 0.145" L1 1/2 x 1 1/2 x 1/8
SPLICE BOLTS	(4)-5/8"φ
ANCHOR BOLTS	(4)-1"φ (C1018 THREADED ROD)
	(1)-5/8"φ
	(4)-1/2"φ
	GRADE 5



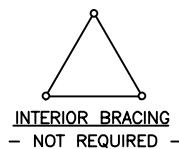
According to ANSI/EIA-222-F 1996

90 mph/78 mph + 1/2" radial ice w/ (3 second gust) per OBC AND IBC				
	CaAa	Flat Plate Area	Weight	Elevation
No Ice	62.0 sq ft	34.44 sq ft	1400 lbs	80.0 ft
1/2" Ice	82.0 sq ft	45.56 sq ft	2000 lbs	80.0 ft
No Ice	140.0 sq ft	77.78 sq ft	3200 lbs	80 ft to 50 ft
1/2" Ice	174.0 sq ft	96.67 sq ft	4000 lbs	80 ft to 50 ft
(3)-7/8" coax Elevation 0 ft to 80 ft Coax to be equally distributed to three tower faces				
Climbing Ladder Elevation 0 ft to 80 ft				

70 mph/61 mph + 1/2" radial ice (Fastest MPH) per EIA-222-F				
	CaAa	Flat Plate Area	Weight	Elevation
No Ice	65.0 sq ft	36.11 sq ft	1400 lbs	80.0 ft
1/2" Ice	86.0 sq ft	47.78 sq ft	2000 lbs	80.0 ft
No Ice	148.0 sq ft	82.22 sq ft	3200 lbs	80 ft to 50 ft
1/2" Ice	182.0 sq ft	101.11 sq ft	4000 lbs	80 ft to 50 ft
(3)-7/8" coax Elevation 0 ft to 80 ft Coax to be equally distributed to three tower faces				
Climbing Ladder Elevation 0 ft to 80 ft				

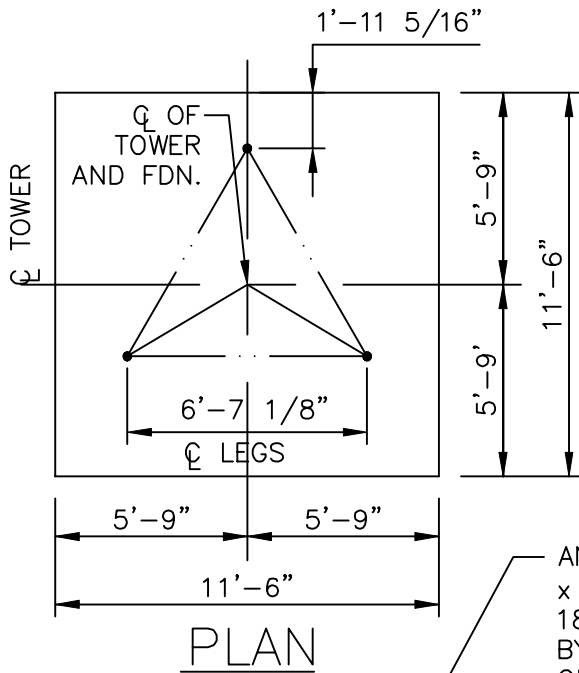


* PIPE LEGS 42 KSI MIN YIELD
10 GA TUBE LEGS 30 KSI MIN YIELD



FOUNDATION REACTIONS
TOTAL MOMENT: 253 FT-KIPS
TOTAL SHEAR: 5 KIPS
TOTAL DOWNLOAD: 8 KIPS

AMERICAN TOWER COMPANY ISO 9001-2000 P.O. Box 29 Shelby, Ohio 44875 www.amertower.com info@amertower.com Since 1953	
Telephone (419) 347-1185	Fax (419) 347-1654
80' HEAVY	
BY: DOW	DATE: 12/21/02
DWG NO. 1057	

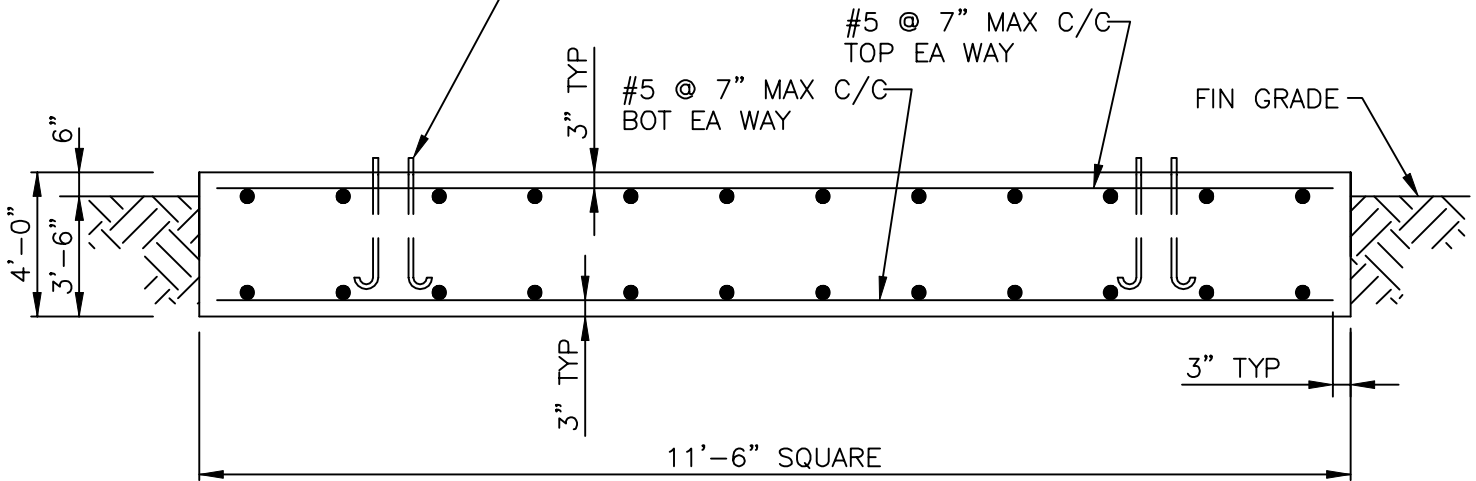


NOTES:

1. ALL CONCRETE SHALL HAVE A MINIMUM COMPRESSIVE STRENGTH OF 3000 PSI @ 28 DAYS.
2. REINFORCING STEEL SHALL CONFORM TO THE REQUIREMENTS OF ASTM A615 (GRADE 60).
3. TOTAL CONCRETE = 19.6 CUBIC YARDS.
4. FOUNDATION DESIGN BASED UPON THE FOLLOWING:

ALLOW BEARING PRESSURE: 2000 PSF
 UNIT WEIGHT: 100 PCF
 WATER AND ROCK LOCATED BELOW FOOTING

ANCHOR BOLTS BY AMERICAN TOWER, 1"φ x 3'-6" MIN EMBEDMENT INTO CONCRETE. 180° END HOOK PER ACI. SEE DRAWINGS BY AMERICAN TOWER FOR ANCHOR BOLT ORIENTATION.



MAT FOUNDATION

FOOTING MUST BEAR ON UNDISTURBED SOIL OR COMPACTED BACKFILL.

AMERICAN TOWER COMPANY ISO 9001-2000 P.O. Box 29 Shelby, Ohio 44875 www.amertower.com info@amertower.com Telephone (419)347-1185 Since 1953 Fax (419) 347-1654	
80' HEAVY FOUNDATION	
BY: DOW	DATE: 12/21/02
DWG NO. 1057 A	