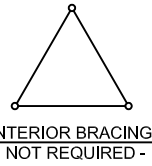
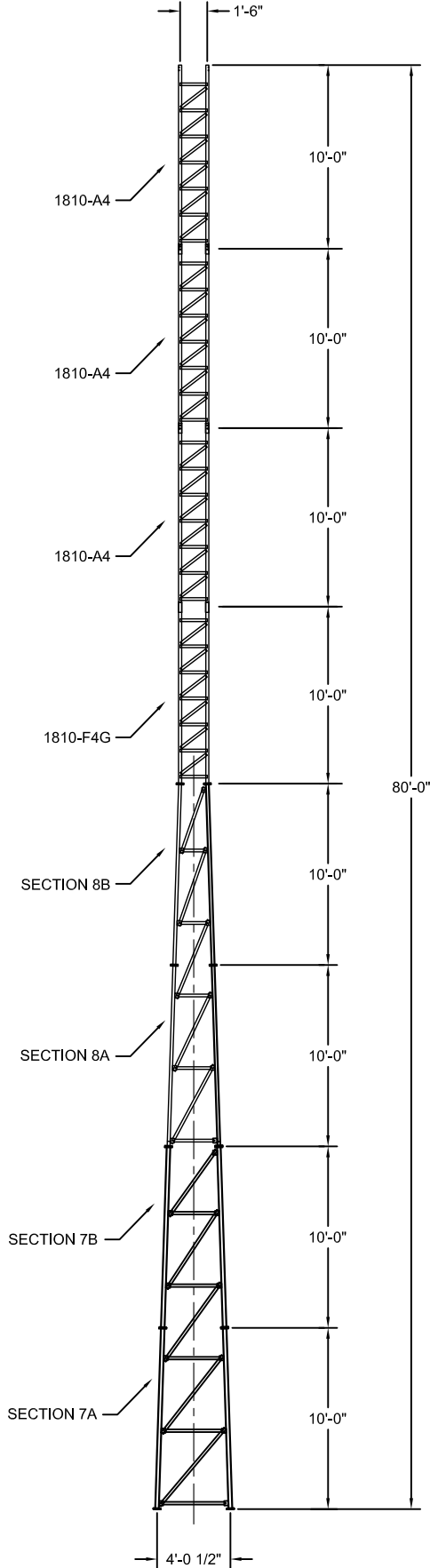


* PIPE LEGS 42 KSI MIN YIELD
 10 GA H.S. TUBE LEGS 50 KSI MIN YIELD

According to ANSI/EIA-222-F 1996

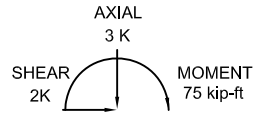
70mph / 60.62 mph + 1/2" radial ice w/ (3 second gust) per OBC AND IBC				
	CaAa	Flat Plate Area	Weight	Elevation
No Ice	11 sq ft	6.11 sq ft	100 lbs.	80.0 ft.
1/2" Ice	9 sq ft	5 sq ft	150 lbs.	80.0 ft.
(1) - 7/8" coax Elevation 0 ft to 80 ft				
Climbing Ladder Elevation 0 ft to 40 ft				

ASTM	
*	A36
GRADE	5
LEGS	2.375" x 0.154"
DIAGONALS	L1-3/4" x 1-3/4" x 1/8"
GIRTS	L1-1/2" x 1-1/2" x 1/8"
BRACE BOLTS	L1-3/4" x 1-3/4" x 1/8"
SPLICE BOLTS	(33) - 5/8"Ø
ANCHOR BOLTS	(4) - 3/4"Ø (C1018 THREADED ROD)
	2.0" x 10 GA
	L3/4" x 3/4" x 1/8"
	L1-1/4" x 1-1/4" x 1/8"
	-SHOP WELDED-
	(6) - 1/2"Ø
	1.9" x 0.145"
	L1-1/2" x 1-1/2" x 1/8"
	L1-1/2" x 1-1/2" x 1/8"
	(33) - 5/8"Ø
	(12) - 1/2"Ø

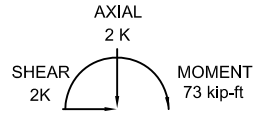


MAX. CORNER REACTIONS AT BASE:

DOWN: 22 K
 UPLIFT: -20 K
 SHEAR: 1 K

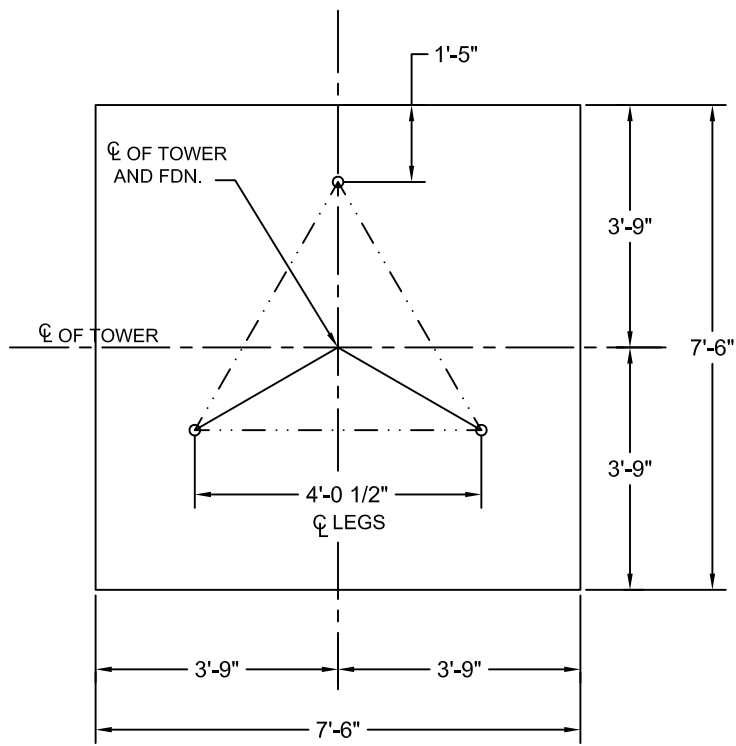


TORQUE 0 kip-ft
 60.62 mph WIND - 0.50 in ICE



TORQUE 0 kip-ft
 REACTIONS - 70.00 mph WIND

AMERICAN TOWER COMPANY			
ISO 9001 - 2000			
P.O. Box 29 Shelby, OH 44875			
Telephone	info@amertower.com	Fax	
(419) 347-1185	www.amertower.com	(419) 347-1654	
Since 1953			
TITLE 80' KA SERIES			
SELF SUPPORTING TOWER			
SIZE	DWG NO	SHT. #	
A	1442	1	
DRAWN BY: RAS			DATE: 10/10/08



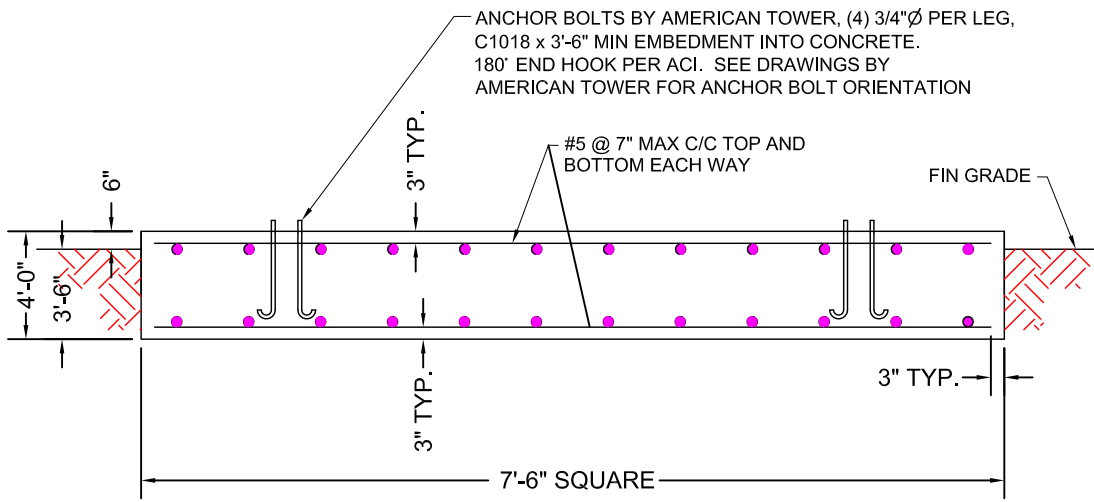
PLAN

NOTES:

1. ALL CONCRETE SHALL HAVE A MINIMUM COMPRESSIVE STRENGTH OF 3000 PSI @ 28 DAYS
2. REINFORCING STEEL SHALL CONFORM TO THE REQUIREMENTS OF ASTM A615 (GRADE 60).
3. TOTAL CONCRETE = 8.3 CUBIC YARDS.
4. FOUNDATION DESIGN BASED UPON THE FOLLOWING:
 ALLOW BEARING PRESSURE: 2000 PSF
 UNIT WEIGHT: 100 PCF
 WATER AND ROCK LOCATED BELOW FOOTING

FOOTING MUST BEAR ON UNDISTURBED SOIL OR COMPACTED BACKFILL.

HORIZ. = 2k
 COMP. = 2k
 OTM = 76k-ft.



MAT FOUNDATION

AMERICAN TOWER COMPANY			
ISO 9001 - 2000			
P.O. Box 29 Shelby, OH 44875			
Telephone	info@amertower.com	Fax	
(419) 347-1185	www.amertower.com	(419) 347-1654	
Since 1953			
TITLE 80' KA SERIES FOUNDATION			
SIZE A	DWG NO 1442A	SHT. # 2	
DRAWN BY: RAS		DATE: 10/10/08	