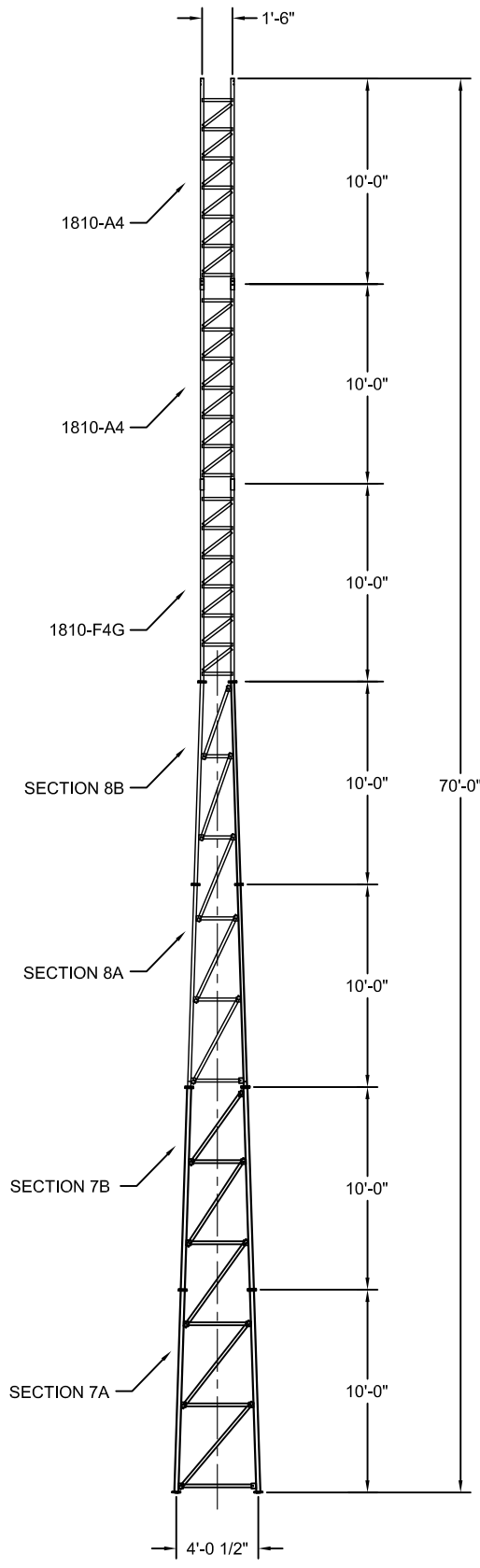


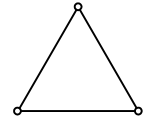
\* PIPE LEGS 42 KSI MIN YIELD  
 10 GA H.S. TUBE LEGS 50 KSI MIN YIELD

According to ANSI/EIA-222-F 1996

ASTM	
*	A36
GRADE	5
2.0" x 10 GA	L3/4" x 3/4" x 1/8"
1.9" x 0.145"	L1-1/2" x 1-1/2" x 1/8"
2.375" x 0.154"	L1-3/4" x 1-3/4" x 1/8"
DIAGONALS	L1-3/4" x 1-3/4" x 1/8"
GIRTS	(33) - 5/8"Ø
BRACE BOLTS	(12) - 1/2"Ø
SPLICE BOLTS	(4) - 3/4"Ø (C1018 THREADED ROD)
ANCHOR BOLTS	



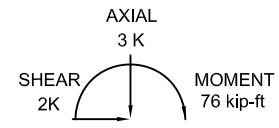
70mph / 60.62 mph + 1/2" radial ice w/ (3 second gust) per OBC AND IBC				
	CaAa	Flat Plate Area	Weight	Elevation
No Ice	24.5 sq ft	13.61 sq ft	100 lbs.	70.0 ft.
1/2" Ice	28.00 sq ft	15.56 sq ft	150 lbs.	70.0 ft.
(1) - 7/8" coax Elevation 0 ft to 70 ft				
Climbing Ladder Elevation 0 ft to 40 ft				



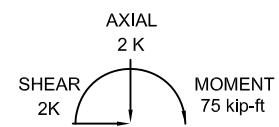
INTERIOR BRACING  
 - NOT REQUIRED -

MAX. CORNER REACTIONS AT BASE:

DOWN: 23 K  
 UPLIFT: -20 K  
 SHEAR: 1 K



TORQUE 0 kip-ft  
 60.62 mph WIND - 0.50 in ICE



TORQUE 0 kip-ft  
 REACTIONS - 70.00 mph WIND

**AMERICAN TOWER COMPANY**  
 ISO 9001 - 2000  
 P.O. Box 29 Shelby, OH 44875  
 Telephone info@amertower.com Fax  
 (419) 347-1185 www.amertower.com Since 1953 (419) 347-1654

TITLE 70' KA SERIES  
 SELF SUPPORTING TOWER

SIZE A	DWG NO 1441	SHT. # 1
DRAWN BY: RAS		DATE: 10/21/08

**NOTES:**

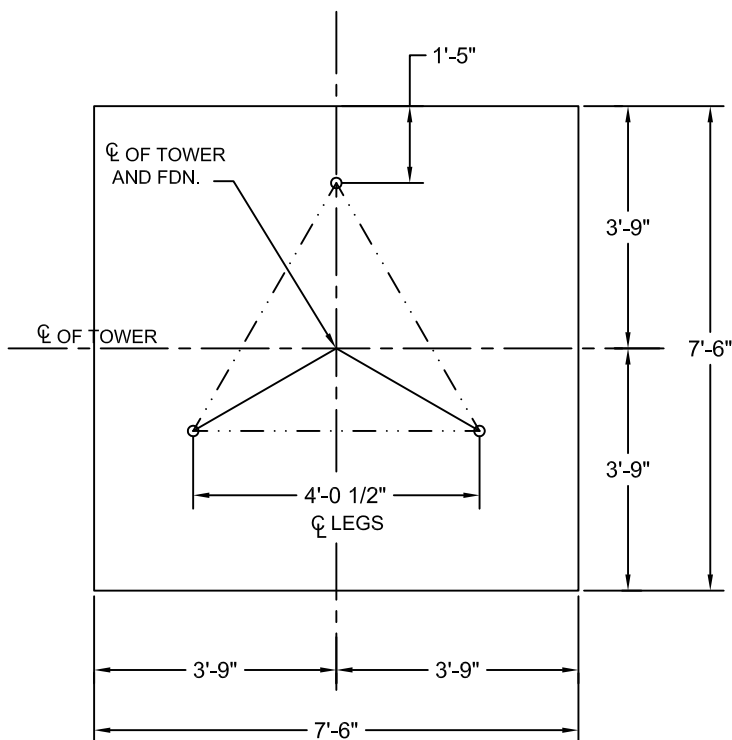
1. ALL CONCRETE SHALL HAVE A MINIMUM COMPRESSIVE STRENGTH OF 3000 PSI @ 28 DAYS

2. REINFORCING STEEL SHALL CONFORM TO THE REQUIREMENTS OF ASTM A615 (GRADE 60).

3. TOTAL CONCRETE = 8.3 CUBIC YARDS.

4. FOUNDATION DESIGN BASED UPON THE FOLLOWING:

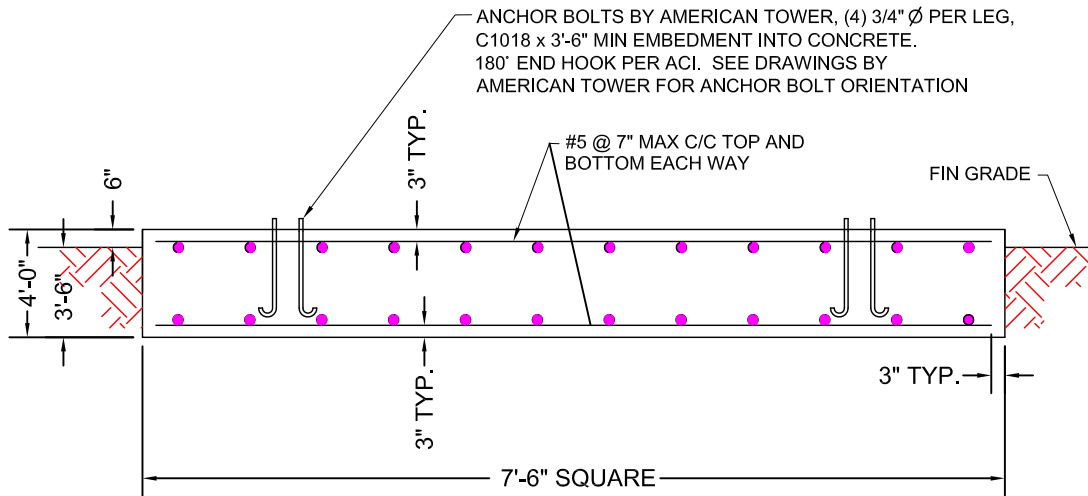
ALLOW BEARING PRESSURE: 2000 PSF  
 UNIT WEIGHT: 100 PCF  
 WATER AND ROCK LOCATED BELOW FOOTING



**PLAN**

**FOOTING MUST BEAR ON UNDISTURBED SOIL OR COMPACTED BACKFILL.**

HORIZ. = 2k  
 COMP. = 2k  
 OTM = 76k-ft.



**MAT FOUNDATION**

<b>AMERICAN TOWER COMPANY</b>			
ISO 9001 - 2000			
P.O. Box 29 Shelby, OH 44875			
Telephone	info@amertower.com	Fax	
(419) 347-1185	www.amertower.com	(419) 347-1654	
Since 1953			
TITLE			
70' KA SERIES FOUNDATION			
SIZE	DWG NO	SHT. #	
A	1441A	2	
DRAWN BY: RAS		DATE: 10/10/08	