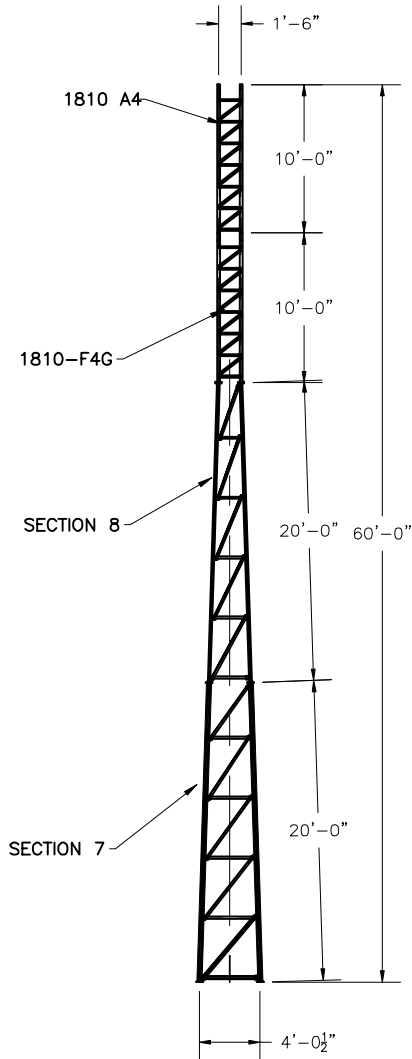


ASTM	
*	A36
GRADE	5
LEGS	2.0" x 10 GA
DIAGONALS	1.9" x 0.145"
GIRTS	L1 3/4 x 1 3/4 x 1/8
BRACE BOLTS	L1 1/2 x 1 1/2 x 1/8
SPLICE BOLTS	L1 1/2 x 1 1/2 x 1/8
ANCHOR BOLTS	L1 1/2 x 1 1/2 x 1/8
	(1)-5/8"φ
	(4)-1/2"φ
	(4)-3/4"φ (C1018 THREADED ROD)
	(2)-1/2"φ
	-SHOP WELDED-



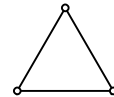
According to ANSI/EIA-222-F 1996
90 mph/78 mph + 1/2" radial ice w/ (3 second gust) per OBC AND IBC

	CaAa	Flat Plate Area	Weight	Elevation
No Ice	40.0 sq ft	22.22 sq ft	1200 lbs	60.0 ft
1/2" Ice	49.5 sq ft	27.50 sq ft	1600 lbs	60.0 ft
No Ice	71.5 sq ft	39.72 sq ft	900 lbs	60 ft to 30 ft
1/2" Ice	87.0 sq ft	48.33 sq ft	1700 lbs	60 ft to 30 ft
(1)-7/8" coax Elevation 0 ft to 60 ft				
Climbing Ladder Elevation 0 ft to 40 ft				

70 mph/61 mph + 1/2" radial ice (Fastest MPH) per EIA-222-F

	CaAa	Flat Plate Area	Weight	Elevation
No Ice	42.0 sq ft	23.33 sq ft	1200 lbs	60.0 ft
1/2" Ice	52.0 sq ft	28.89 sq ft	1600 lbs	60.0 ft
No Ice	76.5 sq ft	42.50 sq ft	900 lbs	60 ft to 30 ft
1/2" Ice	93.0 sq ft	51.67 sq ft	1700 lbs	60 ft to 30 ft
(1)-7/8" coax Elevation 0 ft to 60 ft				
Climbing Ladder Elevation 0 ft to 40 ft				

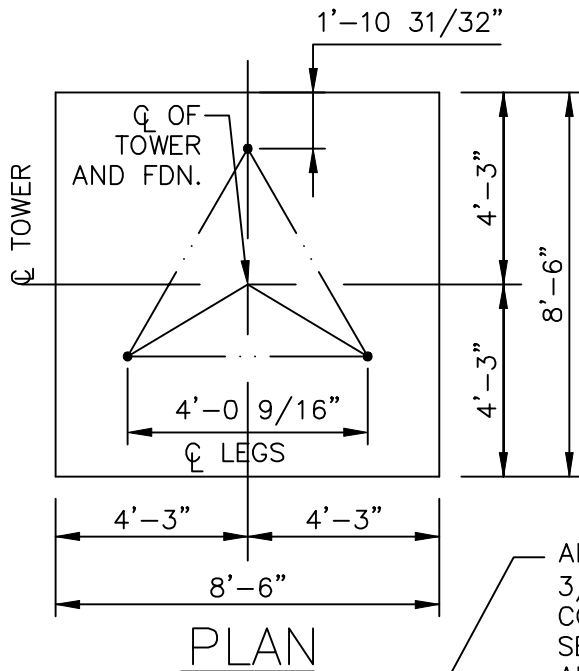
* PIPE LEGS 42 KSI MIN YIELD
10 GA TUBE LEGS 30 KSI MIN YIELD



INTERIOR BRACING
- NOT REQUIRED -

FOUNDATION REACTIONS
TOTAL MOMENT: 90.7FT-KIPS
TOTAL SHEAR: 4 KIPS
TOTAL DOWNLOAD: 3 KIPS

AMERICAN TOWER COMPANY	
ISO 9001-2000	
P.O. Box 29 Shelby, Ohio 44875	
www.amertower.com	
info@amertower.com	
Since 1953	
Telephone (419) 347-1185	Fax (419) 347-1654
60' STANDARD	
BY: DOW	DATE: 12/21/02
DWG NO. 1063	

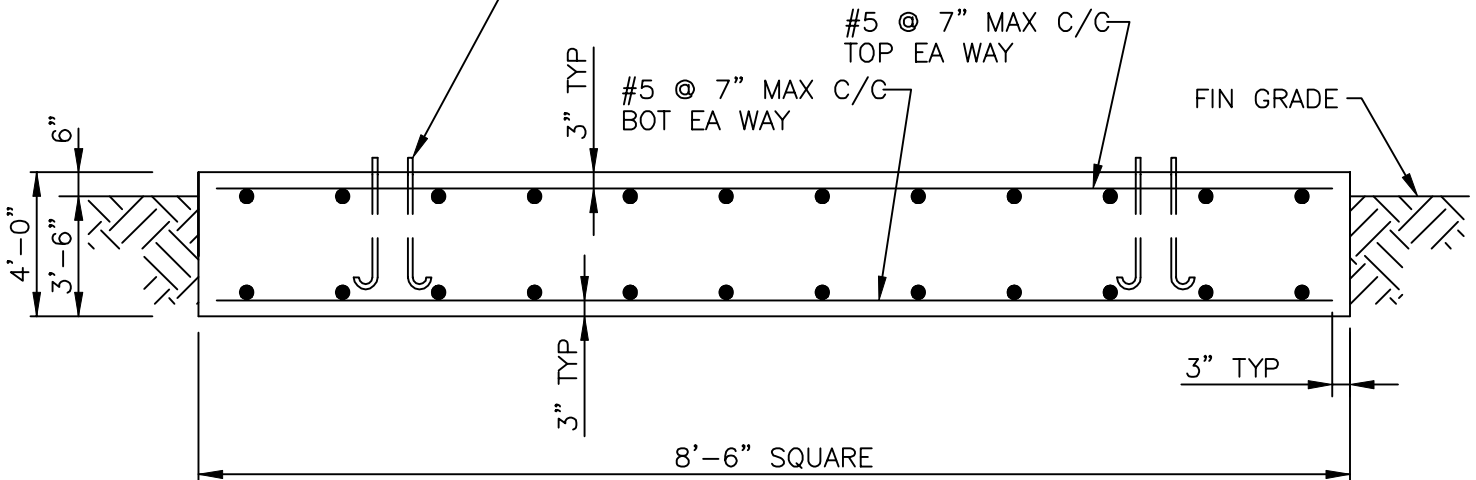


NOTES:

1. ALL CONCRETE SHALL HAVE A MINIMUM COMPRESSIVE STRENGTH OF 3000 PSI @ 28 DAYS.
2. REINFORCING STEEL SHALL CONFORM TO THE REQUIREMENTS OF ASTM A615 (GRADE 60).
3. TOTAL CONCRETE = 10.7 CUBIC YARDS.
4. FOUNDATION DESIGN BASED UPON ASSUMED SOIL PARAMETERS AS FOLLOWS:

ALLOW BEARING PRESSURE: 2000 PSF
 UNIT SOIL WEIGHT: 100 PCF
 WATER AND ROCK LOCATED BELOW FOOTING

ANCHOR BOLTS BY AMERICAN TOWER,
 3/4"φ x 3'-6" MIN EMBEDMENT INTO
 CONCRETE. 180° END HOOK PER ACI.
 SEE DRAWINGS BY AMERICAN TOWER FOR
 ANCHOR BOLT ORIENTATION.



MAT FOUNDATION

FOOTING MUST BEAR ON
 UNDISTURBED SOIL OR
 COMPACTED BACKFILL.

AMERICAN TOWER COMPANY ISO 9001-2000 P.O. Box 29 Shelby, Ohio 44875 www.amertower.com info@amertower.com Telephone (419)347-1185 Since 1953 Fax (419) 347-1654	
60' STANDARD FOUNDATION	
BY: DOW	DATE: 12/21/02
DWG NO. 1063 A	