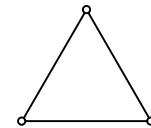
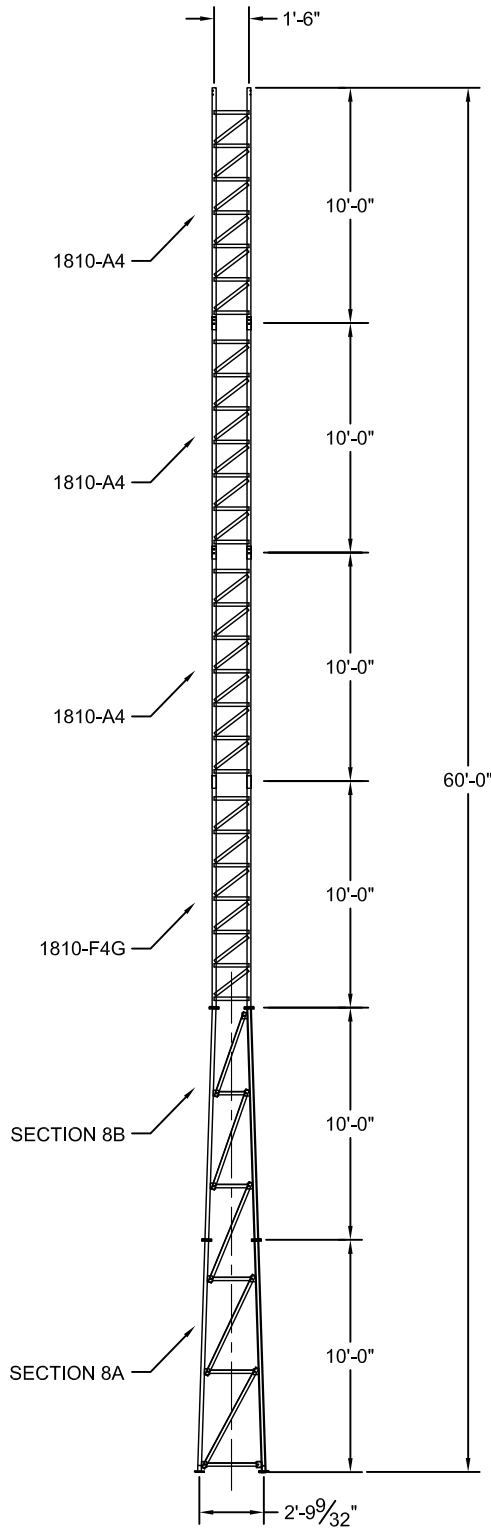


* PIPE LEGS 42 KSI MIN YIELD
 10 GA H.S. TUBE LEGS 50 KSI MIN YIELD

According to ANSI/EIA-222-F 1996

70mph / 60.62 mph + 1/2" radial ice w/ (3 second gust) per OBC AND IBC				
	CaAa	Flat Plate Area	Weight	Elevation
No Ice	14.5 sq ft	8.06 sq ft	100 lbs.	60.0 ft.
1/2" Ice	13.00 sq ft	7.22 sq ft	150 lbs.	60.0 ft.
(1) - 7/8" coax Elevation 0 ft to 60 ft				
Climbing Ladder Elevation 0 ft to 20 ft				

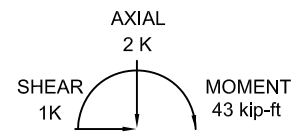
ASTM	
*	A36
GRADE 5	
LEGS	2.0" x 10 GA
DIAGONALS	L3/4" x 3/4" x 1/8"
GIRTS	L1-1/4" x 1-1/4" x 1/8"
BRACE BOLTS	(33) - 5/8"Ø
SPLICE BOLTS	(12) - 1/2"Ø
ANCHOR BOLTS	(4) - 3/4"Ø (C1018 THREADED ROD)
DIAGONALS	1.9" x 0.145"
GIRTS	L1-1/2" x 1-1/2" x 1/8"
BRACE BOLTS	L1-1/2" x 1-1/2" x 1/8"
SPLICE BOLTS	(33) - 5/8"Ø
ANCHOR BOLTS	(12) - 1/2"Ø



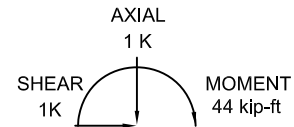
INTERIOR BRACING
 - NOT REQUIRED -

MAX. CORNER REACTIONS AT BASE:

DOWN: 19 K
 UPLIFT: -17 K
 SHEAR: 1 K



TORQUE 0 kip-ft
 60.62 mph WIND - 0.50 in ICE

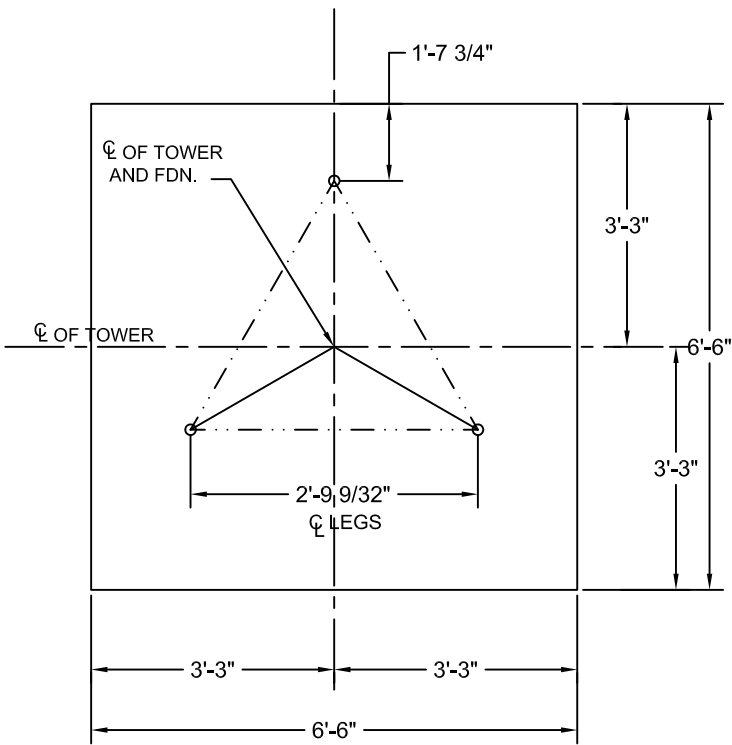


REACTIONS - 70.00 mph WIND

AMERICAN TOWER COMPANY
 ISO 9001 - 2000
 P.O. Box 29 Shelby, OH 44875
 Telephone info@amertower.com Fax
 (419) 347-1185 www.amertower.com Since 1953 (419) 347-1654

TITLE 60' KA SERIES
 SELF SUPPORTING TOWER

SIZE A	DWG NO 1440	SHT. # 1
DRAWN BY: RAS		DATE: 10/21/08



PLAN

NOTES:

1. ALL CONCRETE SHALL HAVE A MINIMUM COMPRESSIVE STRENGTH OF 3000 PSI @ 28 DAYS

2. REINFORCING STEEL SHALL CONFORM TO THE REQUIREMENTS OF ASTM A615 (GRADE 60).

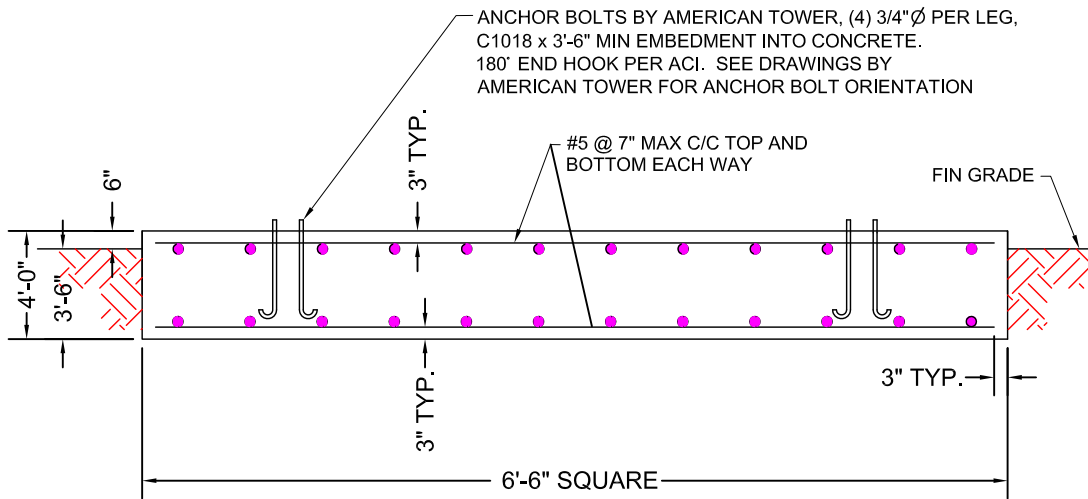
3. TOTAL CONCRETE = 6.3 CUBIC YARDS.

4. FOUNDATION DESIGN BASED UPON THE FOLLOWING:

ALLOW BEARING PRESSURE: 2000 PSF
 UNIT WEIGHT: 100 PCF
 WATER AND ROCK LOCATED BELOW FOOTING

FOOTING MUST BEAR ON UNDISTURBED SOIL OR COMPACTED BACKFILL.

HORIZ. = 1k
 COMP. = 1k
 OTM = 44k-ft.



MAT FOUNDATION

AMERICAN TOWER COMPANY			
ISO 9001 - 2000			
P.O. Box 29 Shelby, OH 44875			
Telephone	info@amertower.com	Fax	
(419) 347-1185	www.amertower.com	Since 1953	(419) 347-1654
TITLE			
60' KA SERIES FOUNDATION			
SIZE	DWG NO	SHT. #	
A	1440A	2	
DRAWN BY: RAS			DATE: 10/10/08