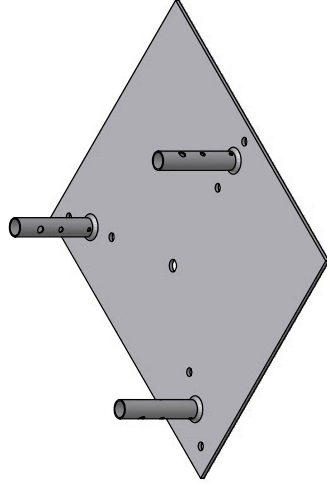
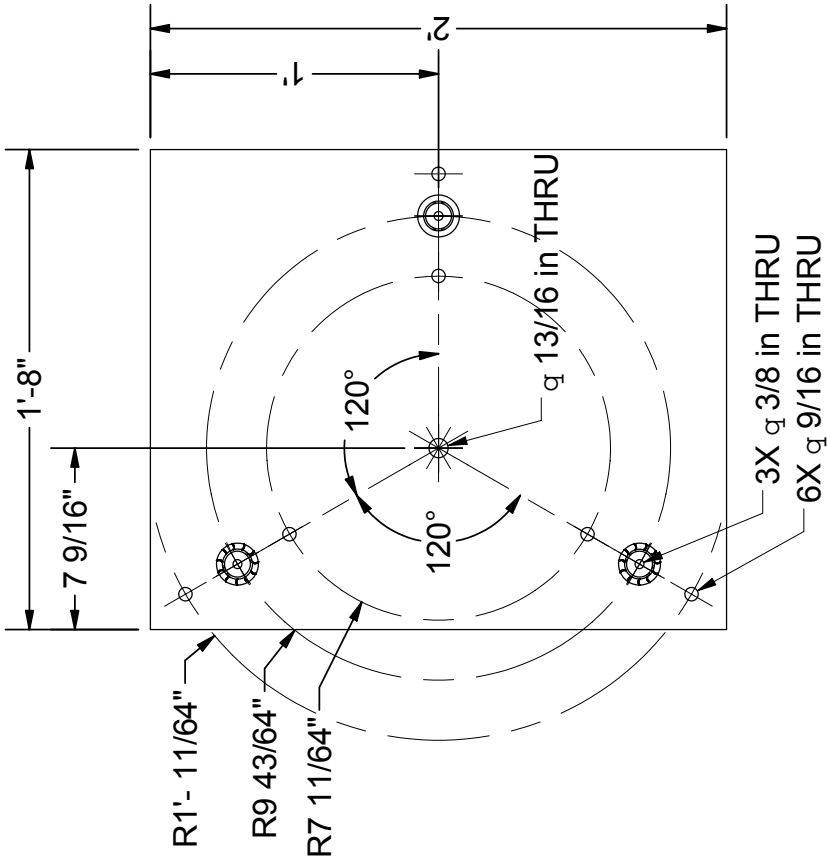


| REVISION HISTORY | | |
|------------------|----------|-----------------------|
| REV | DATE | DESCRIPTION |
| A | 6/4/2005 | REVISED HOLE LOCATION |



NOTE:

1. FOR USE WITH GUYED AND BRACKETED TOWERS ONLY

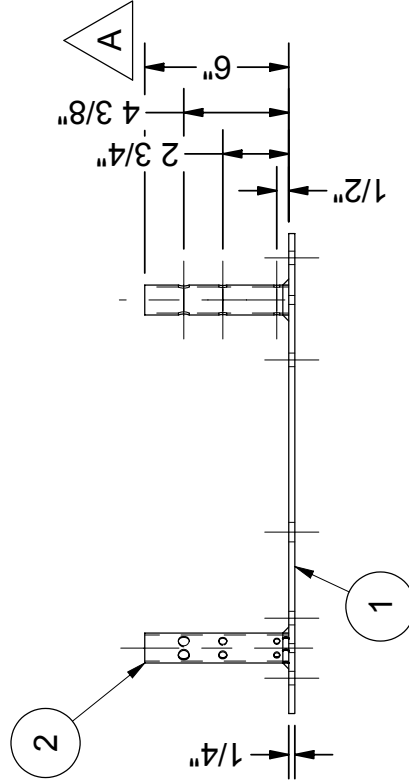
2. IT SHALL BE THE CUSTOMER'S OR INSTALLER'S RESPONSIBILITY TO PROVIDE STRUCTURALLY ADEQUATE SUPPORTS FOR PIER & ANCHOR CONNECTIONS. IT MAY ALSO BE NECESSARY FOR THE CUSTOMER/INSTALLER TO DETERMINE THAT INSTALLATION COMPLIES WITH LOCAL CODES.

TEMPORARY STEEL GUYING IS NECESSARY DURING INSTALLATION AND DISMANTLING

AMERICAN TOWER COMPANY
 ISO 9001-2000
 P.O. Box 29 Shelby, Ohio 44875
 Telephone (419) 347-1185 info@amertower.com
 Fax (419) 347-1654 www.amertower.com
 Since 1953

TITLE
AMERITE 45 CONCRETE BASE PLATE WELDMENT

| | | |
|---------------|--------|----------------|
| SIZE | DWG NO | SHT. # |
| A | 1259 | 1 |
| DRAWN BY: DOW | | DATE 3/19/2005 |



| ITEM | QTY | PART NUMBER | DESCRIPTION |
|------|-----|-------------|---------------------|
| 2 | 3 | 1258 | AMERITE 45 STUB LEG |
| 1 | 1 | 1257 | BASE PLATE |

Parts List