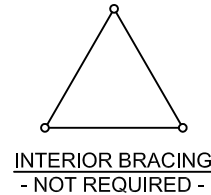
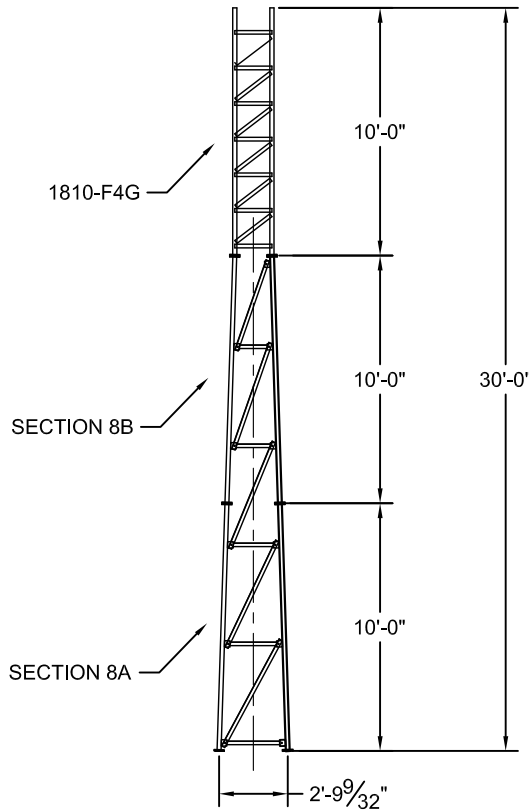


According to ANSI/EIA-222-F 1996

70mph / 60.62 mph + 1/2" radial ice w/ (3 second gust) per OBC AND IBC				
	CaAa	Flat Plate Area	Weight	Elevation
No Ice	80 sq ft	44.44 sq ft	100 lbs.	30.0 ft.
1/2" Ice	64 sq ft	35.55 sq ft	150 lbs.	30.0 ft.
(1) - 7/8" coax Elevation 0 ft to 30 ft				
Climbing Ladder Elevation 0 ft to 20 ft				

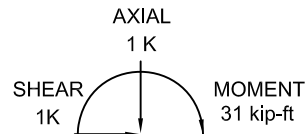
\* PIPE LEGS 42 KSI MIN YIELD  
10 GA H.S. TUBE LEGS 50 KSI MIN YIELD

ASTM	
*	A36
GRADE	5
LEGS	2.0" x 10 GA
DIAGONALS	L3/4" x 3/4" x 1/8"
GIRTS	L1-1/4" x 1-1/4" x 1/8"
BRACE BOLTS	(33) - 5/8"Ø
SPLICE BOLTS	(12) - 1/2"Ø
ANCHOR BOLTS	(4) - 3/4"Ø (C1018 THREADED ROD)
	(6) - 1/2"Ø
	-SHOP WELDED-

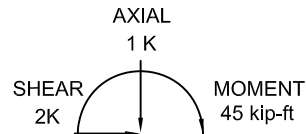


MAX. CORNER REACTIONS AT BASE:

DOWN: 19 K  
UPLIFT: -18 K  
SHEAR: 1 K



TORQUE 0 kip-ft  
60.62 mph WIND - 0.50 in ICE



REACTIONS - 70.00 mph WIND

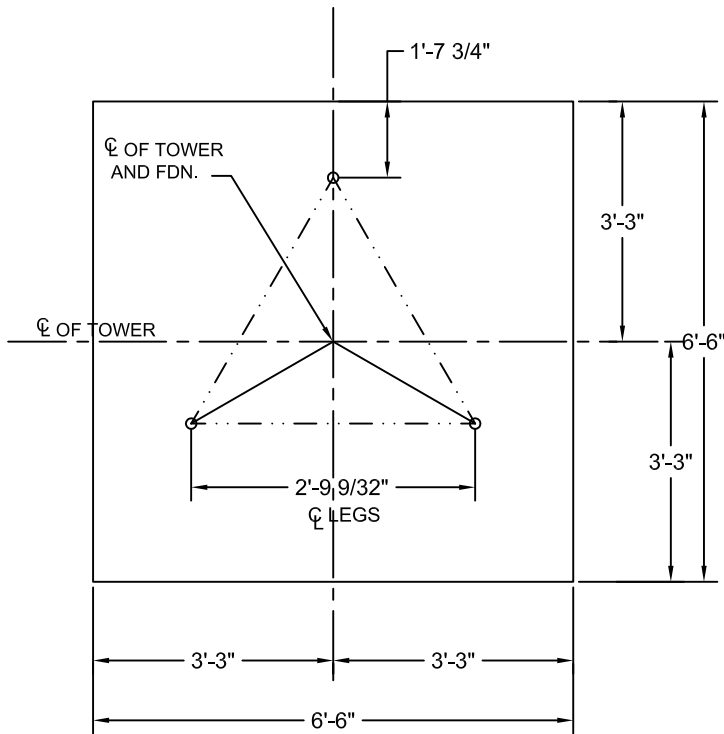
AMERICAN TOWER COMPANY

ISO 9001 - 2000  
P.O. Box 29 Shelby, OH 44875  
Telephone info@amertower.com www.amertower.com Fax  
(419) 347-1185 Since 1953 (419) 347-1654

TITLE 30' KA SERIES  
SELF SUPPORTING TOWER

SIZE A DWG NO 1437 SHT. # 1

DRAWN BY: RAS DATE: 10/27/08



**PLAN**

**NOTES:**

1. ALL CONCRETE SHALL HAVE A MINIMUM COMPRESSIVE STRENGTH OF 3000 PSI @ 28 DAYS

2. REINFORCING STEEL SHALL CONFORM TO THE REQUIREMENTS OF ASTM A615 (GRADE 60).

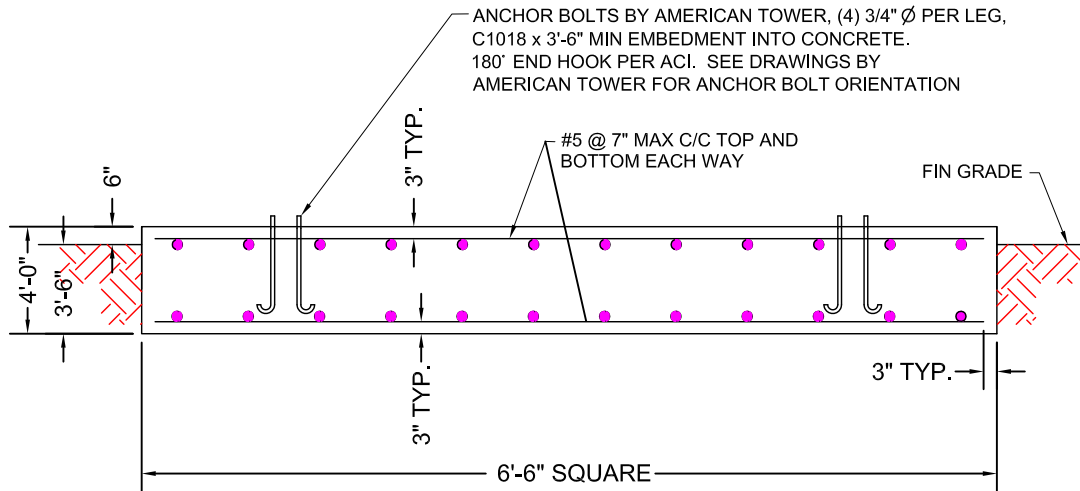
3. TOTAL CONCRETE = 6.3 CUBIC YARDS.

4. FOUNDATION DESIGN BASED UPON THE FOLLOWING:

ALLOW BEARING PRESSURE: 2000 PSF  
 UNIT WEIGHT: 100 PCF  
 WATER AND ROCK LOCATED BELOW FOOTING

**FOOTING MUST BEAR ON UNDISTURBED SOIL OR COMPACTED BACKFILL.**

HORIZ. = 1k  
 COMP. = 1k  
 OTM = 44k-ft.



**MAT FOUNDATION**

<b>AMERICAN TOWER COMPANY</b>			
ISO 9001 - 2000			
P.O. Box 29 Shelby, OH 44875			
Telephone	info@amertower.com	Fax	
(419) 347-1185	www.amertower.com	(419) 347-1654	
		Since 1953	
TITLE 30' KA SERIES FOUNDATION			
SIZE A		DWG NO 1437A	SHT. # 2
DRAWN BY: RAS			DATE: 10/27/08