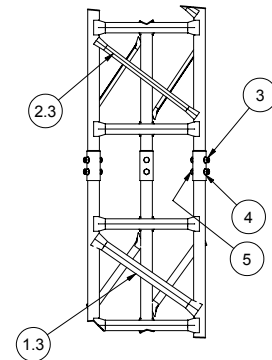


90 mph/78 mph + 1/2" radial ice (3 second gust) per OBC and IBC				
	CaAa	Flat Plate Area	Weight	Elevation
No Ice	85 sq ft	47 sq ft	200 lbs	20.0 ft
1/2" Ice	115 sq ft	64 sq ft	400 lbs	20.0 ft
(1)-1/2" coax Elevation 0 ft to 20 ft				

70 mph/61 mph + 1/2" radial ice (Fastest MPH) per EIA-222-F				
	CaAa	Flat Plate Area	Weight	Elevation
No Ice	80 sq ft	44 sq ft	200 lbs	20.0 ft
1/2" Ice	108 sq ft	60 sq ft	400 lbs	20.0 ft
(1)-1/2" coax Elevation 0 ft to 20 ft				

INTERIOR BRACING
- NOT REQUIRED -

FOUNDATION REACTIONS
TOTAL MOMENT: 28.6 FT-KIPS
TOTAL SHEAR: 2 KIPS
TOTAL DOWNLOAD: 1 KIPS



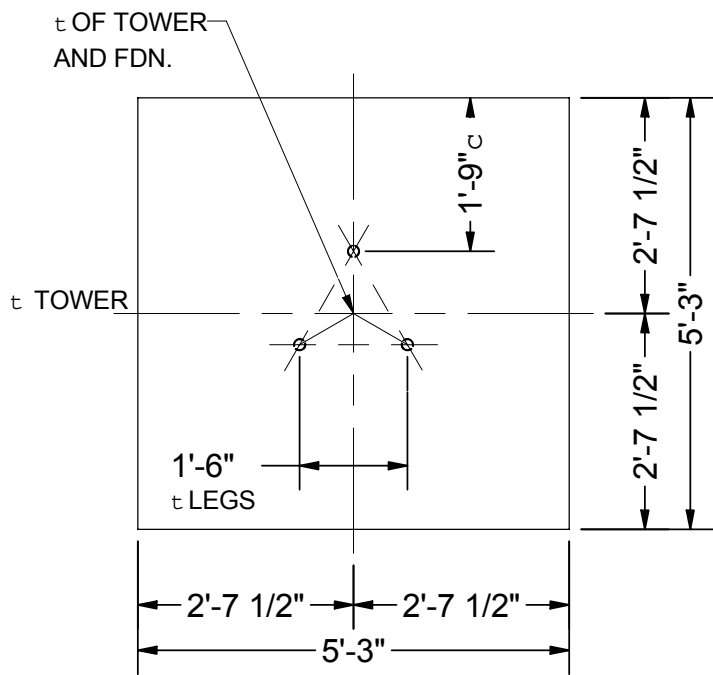
DETAIL C

5	6		A325, 1/2-13 UNC x 3 LG.
4	6		A325, 1/2" WASHER
3	6		A325, 1/2-13 UNC HEX NUT
2.3	18	1196	0.75 x 0.75 x 3/16 A36 ANGLE - DIAGONAL
2.2	21	1195	1.25 x 1.25 x 3/16 A36 ANGLE - HORIZONTAL
2.1.2	1	1192	2 1/4" O.D. x 1/8 WALL x 0'-5, A-513 (50 kpsi MIN YIELD)
2.1.1	1	1191	2" O.D. x 10 GA. (.134) x 10'-0, A-513 (50 kpsi MIN YIELD)
2.1	3	1193	LEG WELDMENT
2	1	1194	1810-A4 MID-SECTION
1.3	18	1197	1.25 x 1.25 x 3/16 A36 ANGLE - DIAGONAL
1.2	21	1195	1.25 x 1.25 x 3/16 A36 ANGLE - HORIZONTAL
1.1.2	1	1199	FOOT PAD
1.1.1	1	1198	2" O.D. x 10 GA. (.134) x 9'-11 11/16, A-513 (50 kpsi MIN YIELD)
1.1	3	1200	LEG WELDMENT
1	1	1201	1810-F4G TOWER BASE
ITEM	QTY	PART NUMBER	DESCRIPTION

AMERICAN TOWER COMPANY
ISO 9001-2000
P.O. Box 29 Shelby, Ohio 44875
info@amertower.com
Telephone (419) 347-1185 www.amertower.com Fax (419) 347-1654
Since 1953

TITLE 20' FREE STANDING, 1810 18" TRIANGULAR STEEL TOWER		
SIZE B	DWG NO 1303	SHT. # 1
DRAWN BY: DOW	DATE 6/18/2005	

Parts List



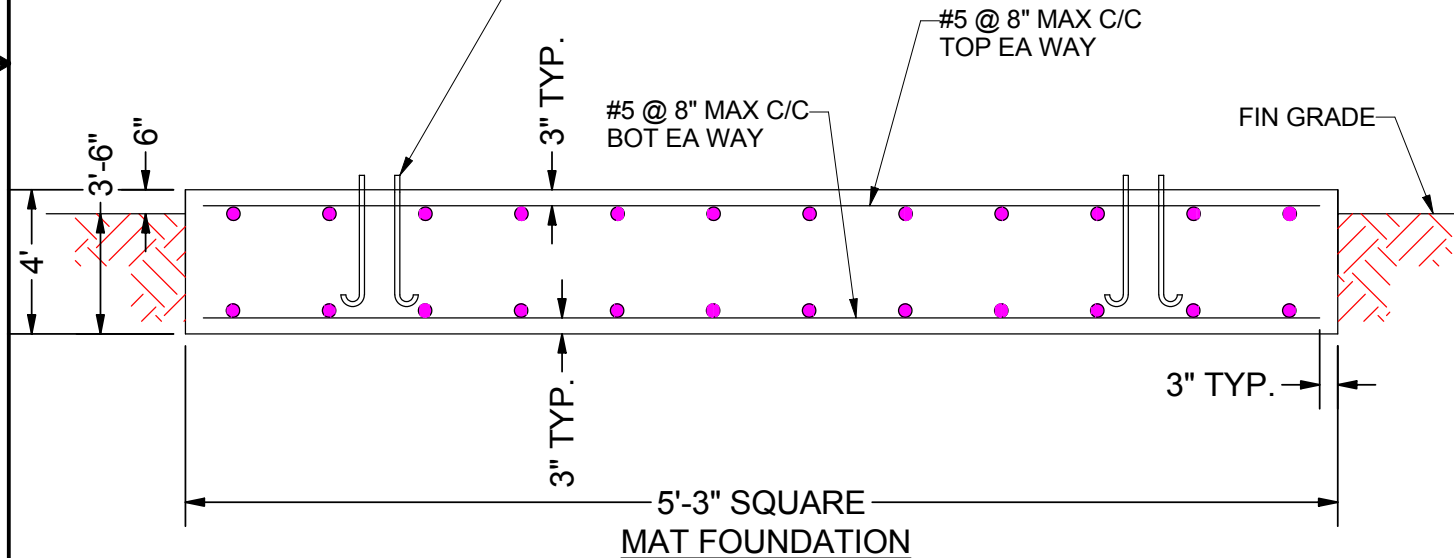
PLAN

NOTES:

1. ALL CONCRETE SHALL HAVE A MINIMUM COMPRESSIVE STRENGTH OF 3000 PSI @ 28 DAYS
2. REINFORCING STEEL SHALL CONFORM TO THE REQUIREMENTS OF ASTM A615 (GRADE 60).
3. TOTAL CONCRETE = 4.1 CUBIC YARDS.
4. FOUNDATION DESIGN BASED UPON ASSUMED SOIL PARAMETERS AS FOLLOWS:

ALLOW BEARING PRESSURE: 2000 PSF
 UNIT SOIL WEIGHT: 100 PCF
 WATER AND ROCK LOCATED BELOW FOOTING. NO ALLOWANCE HAS BEEN MADE FOR DELETERIOUS SOIL, PEAT, ETC. IN EXCAVATION

ANCHOR BOLTS BY AMERICAN TOWER,
 5/8" dia x 3'-6" MIN EMBEDMENT INTO CONCRETE.
 180° END HOOK PER ACI. SEE DRAWINGS BY
 AMERICAN TOWER FOR ANCHOR BOLT ORIENTATION



FOOTING MUST BEAR ON UNDISTURBED SOIL OR COMPACTED BACKFILL.

AMERICAN TOWER COMPANY ISO 9001-2000 P.O. Box 29 Shelby, Ohio 44875 info@amertower.com www.amertower.com Since 1953			
Telephone	(419) 347-1185	Fax	(419) 347-1654
TITLE 20' FREE STANDING, 1810 18" TRIANGULAR STEEL TOWER FOUNDATION			
SIZE	A	DWG NO	1303
SHT. #	2		
DRAWN BY:	DOW	DATE	6/18/2005