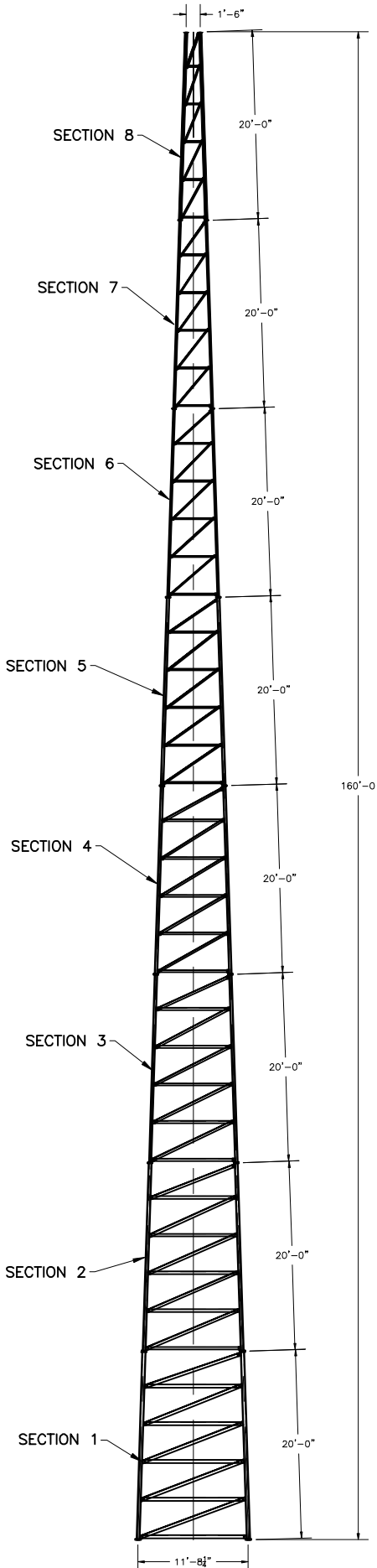


ASTM		GRADE 5	
LEGS	4" x 0.318"	3.5" x 0.300"	2.875" x 0.276"
DIAGONALS	L4 x 4 x 1/4	L3 1/2 x 3/16	L2 x 2 x 1/8
GIRTS	L4 x 4 x 1/4	L3 1/2 x 3/16	L2 x 2 x 1/8
BRACE BOLTS	(1)-3/4"	(4)-7/8"	(1)-5/8"
SPLICE BOLTS	(4)-1"	(4)-1"	(4)-1/2"
ANCHOR BOLTS	(4)-1"	(4)-1"	(4)-1/2"



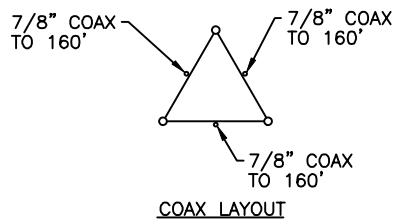
According to ANSI/EIA-222-F 1996

90 mph/78 mph + 1/2" radial ice w/ (3 second gust) per OBC AND IBC

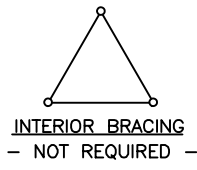
	CaAa	Flat Plate Area	Weight	Elevation
No Ice	49.0 sq ft	27.22 sq ft	1200 lbs	160 ft
1/2" Ice	65.0 sq ft	36.11 sq ft	1800 lbs	160 ft
No Ice	85.0 sq ft	47.22 sq ft	2500 lbs	160 ft to 130 ft
1/2" Ice	102.0 sq ft	56.67 sq ft	3200 lbs	160 ft to 130 ft
(3)-7/8" coax Elevation 0 ft to 160 ft Coax to be equally distributed to three tower faces				
Climbing Ladder Elevation 0 ft to 160 ft				

70 mph/61 mph + 1/2" radial ice (Fastest MPH) per EIA-222-F

	CaAa	Flat Plate Area	Weight	Elevation
No Ice	51.0 sq ft	28.33 sq ft	1200 lbs	160 ft
1/2" Ice	68.0 sq ft	37.78 sq ft	1800 lbs	160 ft
No Ice	87.0 sq ft	48.33 sq ft	2500 lbs	160 ft to 130 ft
1/2" Ice	102.0 sq ft	56.67 sq ft	3200 lbs	160 ft to 130 ft
(3)-7/8" coax Elevation 0 ft to 160 ft Coax to be equally distributed to three tower faces				
Climbing Ladder Elevation 0 ft to 160 ft				



* PIPE LEGS 42 KSI MIN YIELD
10 GA TUBE LEGS 30 KSI MIN YIELD



FOUNDATION REACTIONS
TOTAL MOMENT: 830 FT-KIPS
TOTAL SHEAR: 11 KIPS
TOTAL DOWNLOAD: 21 KIPS

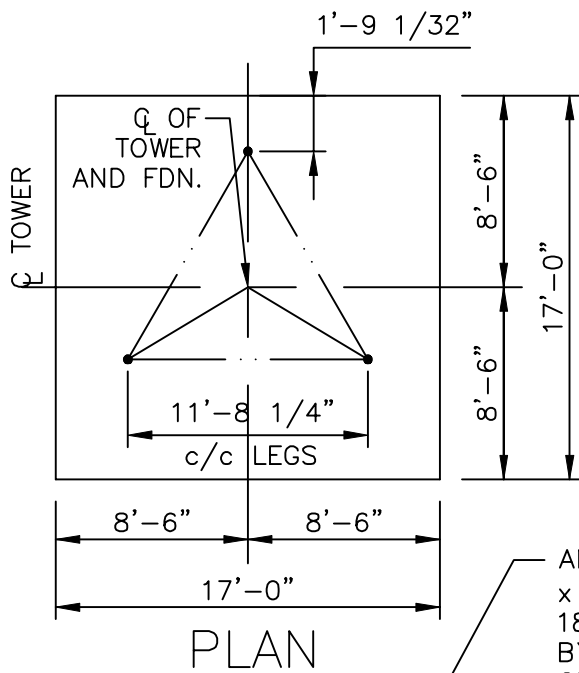
AMERICAN TOWER COMPANY
ISO 9001-2000
P.O. Box 29 Shelby, Ohio 44875
www.amertower.com
info@amertower.com
Since 1953

Telephone (419) 347-1185 Fax (419) 347-1654

160' HEAVY

BY: DOW DATE: 12/21/02

DWG NO. 1053

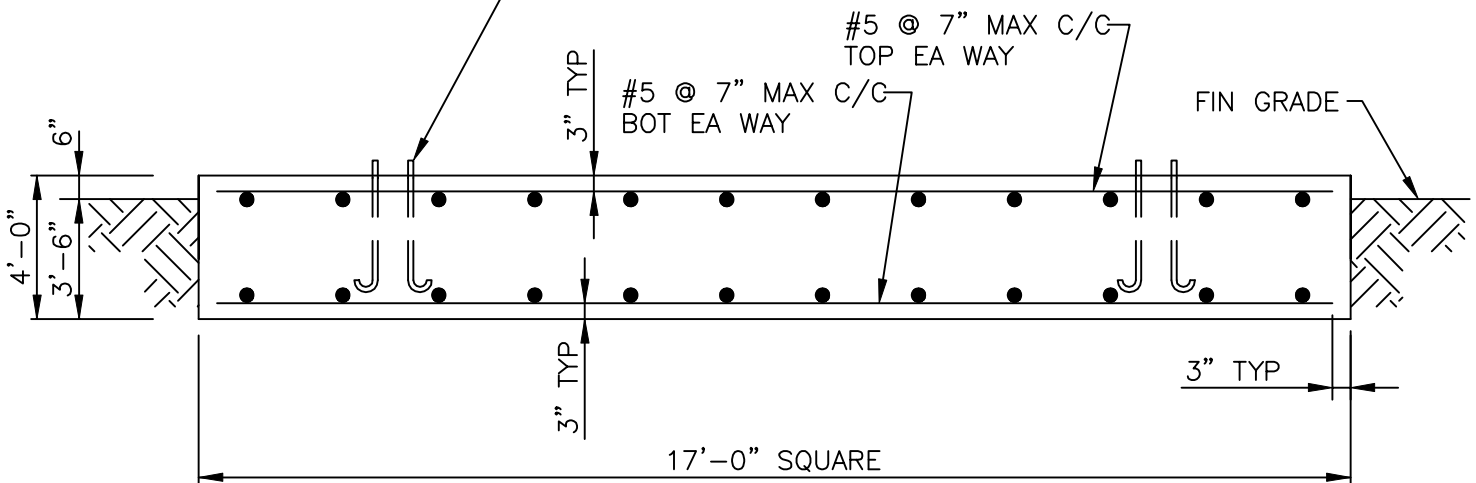


NOTES:

1. ALL CONCRETE SHALL HAVE A MINIMUM COMPRESSIVE STRENGTH OF 3000 PSI @ 28 DAYS.
2. REINFORCING STEEL SHALL CONFORM TO THE REQUIREMENTS OF ASTM A615 (GRADE 60).
3. TOTAL CONCRETE = 42.9 CUBIC YARDS.
4. FOUNDATION DESIGN BASED UPON THE FOLLOWING:

ALLOW BEARING PRESSURE: 2000 PSF
 UNIT WEIGHT: 100 PCF
 WATER AND ROCK LOCATED BELOW FOOTING

ANCHOR BOLTS BY AMERICAN TOWER, 1"Ø x 3'-6" MIN EMBEDMENT INTO CONCRETE. 180° END HOOK PER ACI. SEE DRAWINGS BY AMERICAN TOWER FOR ANCHOR BOLT ORIENTATION.



MAT FOUNDATION

FOOTING MUST BEAR ON UNDISTURBED SOIL OR COMPACTED BACKFILL.

AMERICAN TOWER COMPANY ISO 9001-2000 P.O. Box 29 Shelby, Ohio 44875 www.amertower.com info@amertower.com Telephone (419)347-1185 Since 1953 Fax (419) 347-1654	
160' HEAVY FOUNDATION	
BY: DOW	DATE: 12/21/02
DWG NO. 1053 A	