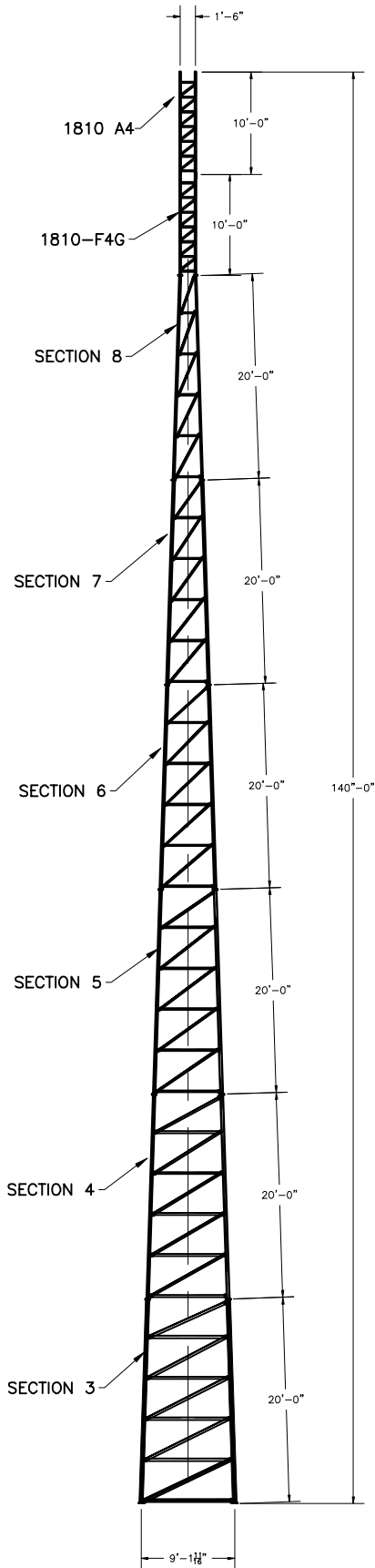


LEGS	2.875" x 0.276"	2.875" x 0.203"	2.375" x 0.218"	2.375" x 0.154"	1.5" ML1 (1/2" SCHED. 40)	2.0" x 10 GA	* A36 GRADE 5
DIAGONALS	L3 x 3 x 3/16	L2 x 2 x 1/8	L1 3/4 x 1 3/4 x 1/8	L1 3/4 x 1 3/4 x 1/8	L1 1/2x1 1/2x1/8	L1 3/4 x 3/4 x 1/8	
GIRTS	L3 x 3 x 3/16	L2 1/2x2 1/2x3/16	L2 x 2 x 1/8	L1 3/4 x 1 3/4 x 1/8	L1 1/2x1 1/2x1/8	L1 3/4 x 3/4 x 1/8	
BRACE BOLTS	(1)-3/4" ϕ	(1)-5/8" ϕ	(4)-5/8" ϕ	(4)-1/2" ϕ	-SHOP WELDED-		
SPLICE BOLTS	(4)-3/4" ϕ	(4)-5/8" ϕ					
ANCHOR BOLTS	(4)-1" ϕ (C1018 THREADED ROD)						

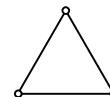


According to ANSI/EIA-222-F 1996

90 mph/78 mph + 1/2" radial ice w/ (3 second gust) per OBC AND IBC				
	CaAa	Flat Plate Area	Weight	Elevation
No Ice	31 sq ft	17.22 sq ft	200 lbs	140 ft
1/2" Ice	38 sq ft	21.11 sq ft	350 lbs	140 ft
No Ice	52.5 sq ft	29.17 sq ft	350 lbs	140 ft to 110 ft
1/2" Ice	63.5 sq ft	35.28 sq ft	600 lbs	140 ft to 110 ft
(1)-7/8" coax Elevation 0 ft to 140 ft				
Climbing Ladder Elevation 0 ft to 120 ft				

70 mph/61 mph + 1/2" radial ice (Fastest MPH) per EIA-222-F				
	CaAa	Flat Plate Area	Weight	Elevation
No Ice	32 sq ft	17.78 sq ft	200 lbs	140 ft
1/2" Ice	38.5 sq ft	21.39 sq ft	350 lbs	140 ft
No Ice	54.5 sq ft	30.28 sq ft	350 lbs	140 ft to 110 ft
1/2" Ice	65.5 sq ft	36.39 sq ft	600 lbs	140 ft to 110 ft
(1)-7/8" coax Elevation 0 ft to 140 ft				
Climbing Ladder Elevation 0 ft to 120 ft				

* PIPE LEGS 42 KSI MIN YIELD
10 GA TUBE LEGS 30 KSI MIN YIELD



INTERIOR BRACING
- NOT REQUIRED -

FOUNDATION REACTIONS
TOTAL MOMENT: 456 FT-KIPS
TOTAL SHEAR: 6 KIPS
TOTAL DOWNLOAD: 10 KIPS

AMERICAN TOWER COMPANY
ISO 9001-2000

P.O. Box 29 Shelby, Ohio 44875

www.amertower.com

info@amertower.com

Telephone
(419) 347-1185

Since 1953

Fax
(419) 347-1654

140' STANDARD

BY: DOW

DATE: 12/21/02

DWG NO. 1059

NOTES:

1. ALL CONCRETE SHALL HAVE A MINIMUM COMPRESSIVE STRENGTH OF 3000 PSI @ 28 DAYS.

2. REINFORCING STEEL SHALL CONFORM TO THE REQUIREMENTS OF ASTM A615 (GRADE 60).

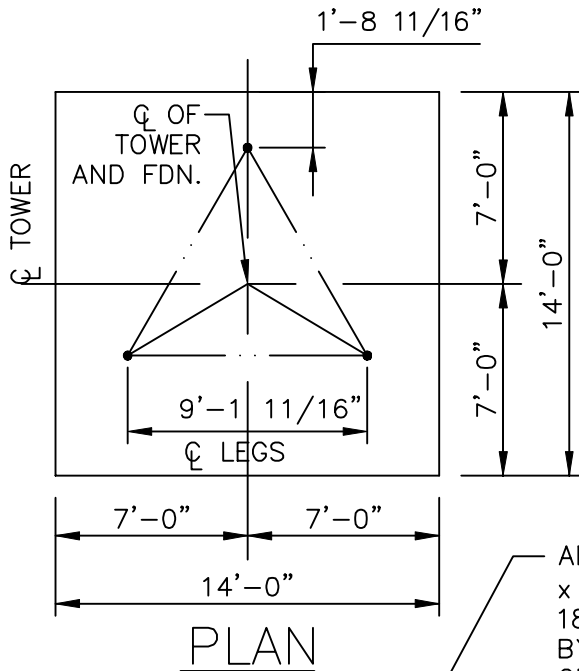
3. TOTAL CONCRETE = 29.1 CUBIC YARDS.

4. FOUNDATION DESIGN BASED UPON ASSUMED SOIL PARAMETERS AS FOLLOWS:

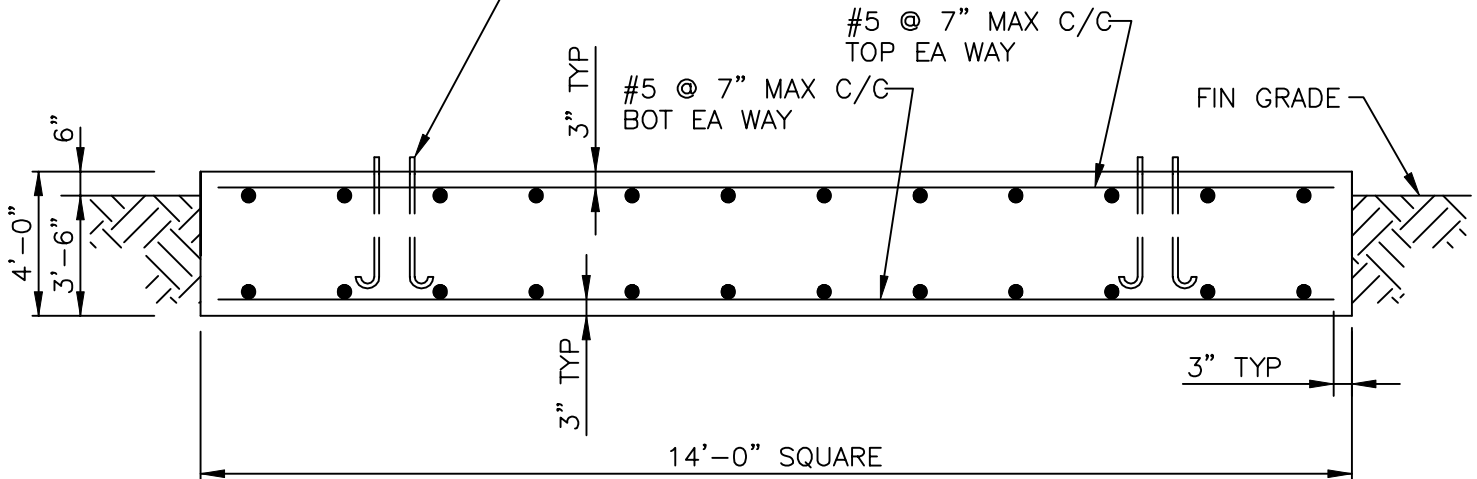
ALLOW BEARING PRESSURE: 2000 PSF

UNIT SOIL WEIGHT: 100 PCF

WATER AND ROCK LOCATED BELOW FOOTING



ANCHOR BOLTS BY AMERICAN TOWER, 1"Ø x 3'-6" MIN EMBEDMENT INTO CONCRETE. 180° END HOOK PER ACI. SEE DRAWINGS BY AMERICAN TOWER FOR ANCHOR BOLT ORIENTATION.



FOOTING MUST BEAR ON UNDISTURBED SOIL OR COMPACTED BACKFILL.

AMERICAN TOWER COMPANY ISO 9001-2000 P.O. Box 29 Shelby, Ohio 44875 www.amertower.com info@amertower.com Telephone (419)347-1185 Since 1953 Fax (419) 347-1654	
140' STANDARD FOUNDATION	
BY: DOW	DATE: 12/21/02
DWG NO. 1059 A	