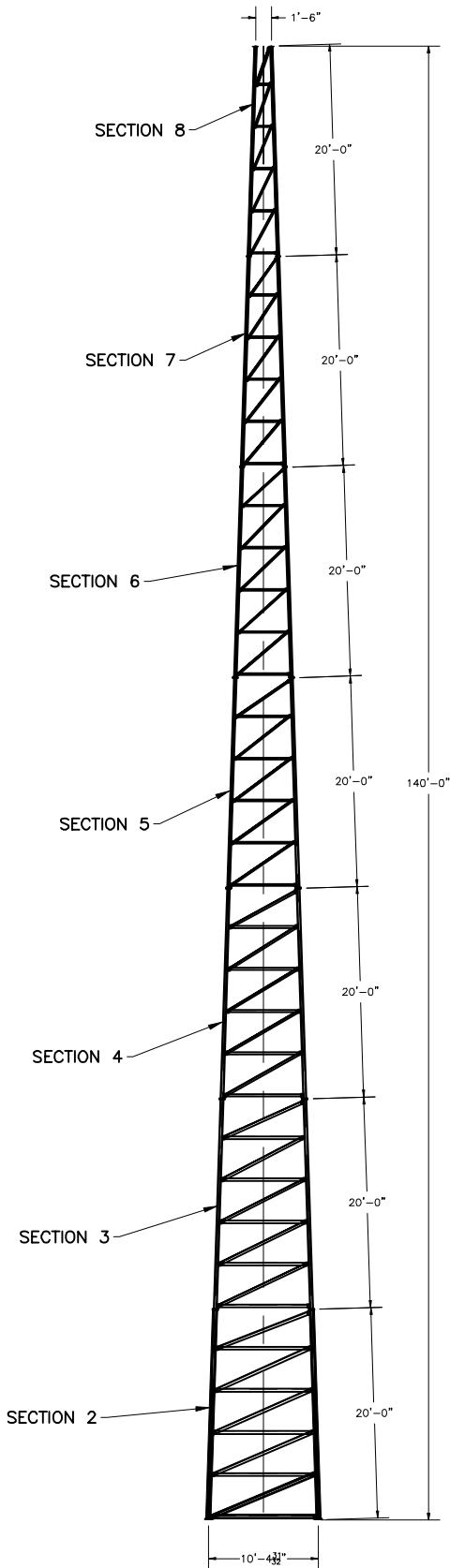


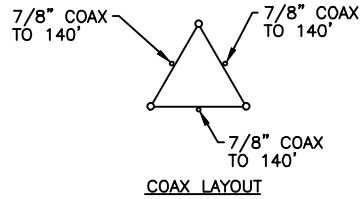
ASTM		* A36		GRADE 5	
LEGS	3.5" x 0.300"	2.875" x 0.276"	2.875" x 0.203"	2.375" x 0.218"	1.9" x 0.145"
DIAGONALS	L3 1/2x3 1/2x1/4	L2 1/2x2 1/2x3/16	L2 x 2 x 1/8	L1 3/4 x 1 3/4 x 1/8	L1 1/2x1 1/2x1/8
GIRTS	L3 1/2x3 1/2x1/4	L2 1/2x2 1/2x3/16	L2 x 2 x 1/8	L1 3/4 x 1 3/4 x 1/8	L1 1/2x1 1/2x1/8
BRACE BOLTS	(1)-3/4"	(4)-3/4"	(4)-5/8"	(1)-5/8"	(4)-1/2"
SPLICE BOLTS	(4)-1"	(4)-7/8"	(4)-5/8"	(4)-1/2"	(4)-1/2"
ANCHOR BOLTS	(4)-1"	(4)-1"	(4)-1"	(4)-1"	(4)-1"
(CT018 THREADED ROD)					



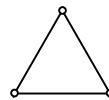
According to ANSI/EIA-222-F 1996

90 mph/78 mph + 1/2" radial ice w/ (3 second gust) per OBC AND IBC				
	CaAa	Flat Plate Area	Weight	Elevation
No Ice	50.0 sq ft	27.78 sq ft	1200 lbs	140 ft
1/2" Ice	67.0 sq ft	37.22 sq ft	1800 lbs	140 ft
No Ice	93.0 sq ft	51.67 sq ft	2500 lbs	140 ft to 110 ft
1/2" Ice	112.0 sq ft	62.22 sq ft	3200 lbs	140 ft to 110 ft
(3)-7/8" coax Elevation 0 ft to 140 ft Coax to be equally distributed to three tower faces				
Climbing Ladder Elevation 0 ft to 140 ft				

70 mph/61 mph + 1/2" radial ice (Fastest MPH) per EIA-222-F				
	CaAa	Flat Plate Area	Weight	Elevation
No Ice	53.0 sq ft	29.44 sq ft	1200 lbs	140 ft
1/2" Ice	70.0 sq ft	38.89 sq ft	1800 lbs	140 ft
No Ice	95.0 sq ft	52.78 sq ft	2500 lbs	140 ft to 110 ft
1/2" Ice	113.0 sq ft	62.78 sq ft	3200 lbs	140 ft to 110 ft
(3)-7/8" coax Elevation 0 ft to 140 ft Coax to be equally distributed to three tower faces				
Climbing Ladder Elevation 0 ft to 140 ft				



* PIPE LEGS 42 KSI MIN YIELD
10 GA TUBE LEGS 30 KSI MIN YIELD

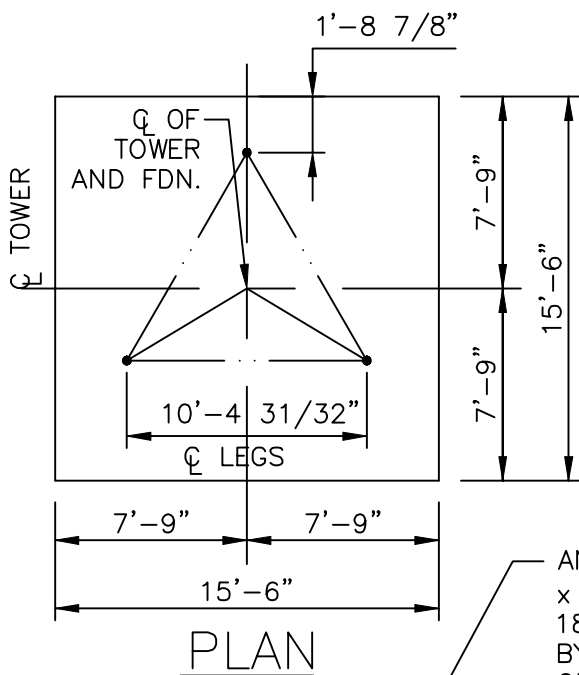


INTERIOR BRACING

- NOT REQUIRED -

FOUNDATION REACTIONS
TOTAL MOMENT: 630 FT-KIPS
TOTAL SHEAR: 8 KIPS
TOTAL DOWNLOAD: 16 KIPS

AMERICAN TOWER COMPANY ISO 9001-2000 P.O. Box 29 Shelby, Ohio 44875 www.amertower.com info@amertower.com Since 1953	
Telephone (419) 347-1185	Fax (419) 347-1654
140' HEAVY	
BY: DOW	DATE: 12/21/02
DWG NO. 1054	

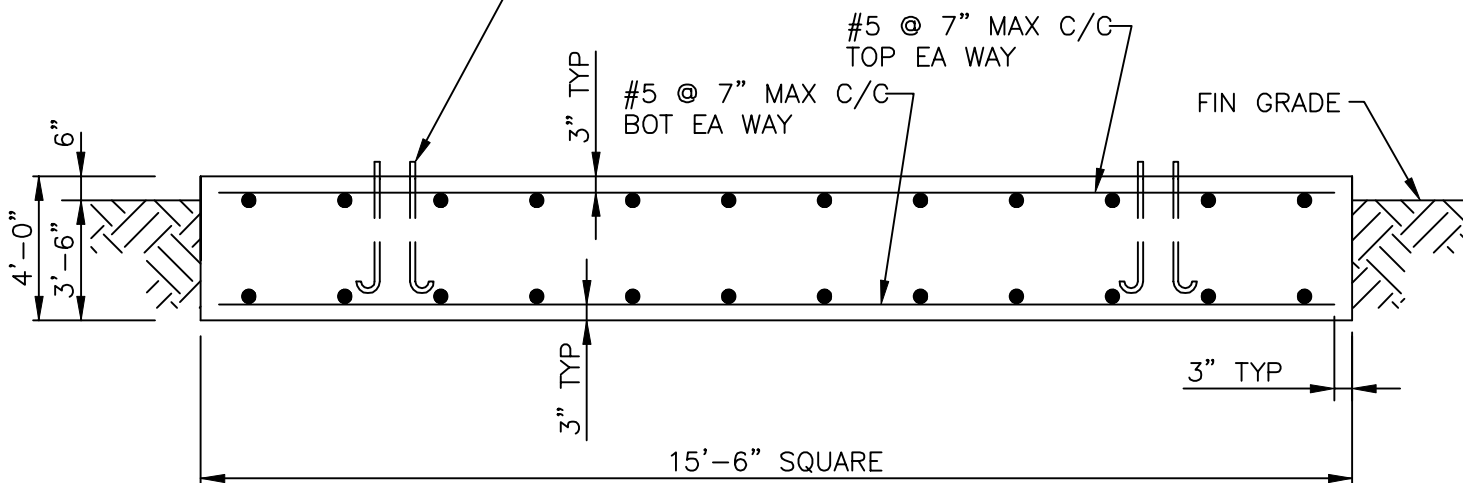


NOTES:

1. ALL CONCRETE SHALL HAVE A MINIMUM COMPRESSIVE STRENGTH OF 3000 PSI @ 28 DAYS.
2. REINFORCING STEEL SHALL CONFORM TO THE REQUIREMENTS OF ASTM A615 (GRADE 60).
3. TOTAL CONCRETE = 35.6 CUBIC YARDS.
4. FOUNDATION DESIGN BASED UPON THE FOLLOWING:

ALLOW BEARING PRESSURE: 2000 PSF
 UNIT WEIGHT: 100 PCF
 WATER AND ROCK LOCATED BELOW FOOTING

ANCHOR BOLTS BY AMERICAN TOWER, 1"Ø x 3'-6" MIN EMBEDMENT INTO CONCRETE. 180° END HOOK PER ACI. SEE DRAWINGS BY AMERICAN TOWER FOR ANCHOR BOLT ORIENTATION.



FOOTING MUST BEAR ON UNDISTURBED SOIL OR COMPACTED BACKFILL.

AMERICAN TOWER COMPANY
 ISO 9001-2000
 P.O. Box 29 Shelby, Ohio 44875
 www.amertower.com
 info@amertower.com

Telephone (419)347-1185 Since 1953 Fax (419) 347-1654

140' HEAVY FOUNDATION

BY: DOW DATE: 12/21/02

DWG NO. 1054 A