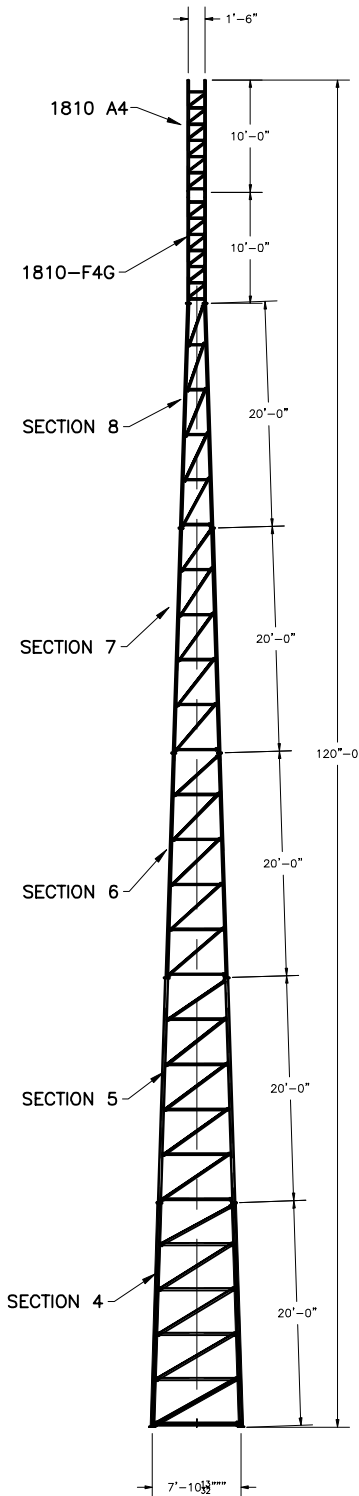


| ASTM | | | | |
|--------------|-----------------------------|----------------------|------------------|------------------|
| | | | | * |
| LEGS | 2.875" x 0.276" | 2.375" x 0.218" | 2.375" x 0.154" | 2.0" x 10 GA |
| DIAGONALS | L2 1/2x2 1/2x3/16 | L1 3/4 x 1 3/4 x 1/8 | L1 1/2x1 1/2x1/8 | L3/4 x 3/4 x 1/8 |
| GIRTS | L2 1/2x2 1/2x3/16 | L1 3/4 x 1 3/4 x 1/8 | L1 1/2x1 1/2x1/8 | L1 1/4x1 1/4x1/8 |
| BRACE BOLTS | (4)-3/4" | (1)-5/8" | (4)-1/2" | -SHOP WELDED- |
| SPLICE BOLTS | (4)-1" | (4)-5/8" | (4)-1/2" | (2)-1/2" |
| ANCHOR BOLTS | (4)-1" (C1018 THREADED ROD) | | | |

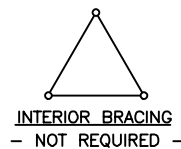


According to ANSI/EIA-222-F 1996

| 90 mph/78 mph + 1/2" radial ice w/ (3 second gust) per OBC AND IBC | | | | |
|--|------------|-----------------|---------|-----------------|
| | CaAa | Flat Plate Area | Weight | Elevation |
| No Ice | 32 sq ft | 17.78 sq ft | 200 lbs | 120 ft |
| 1/2" Ice | 40 sq ft | 22.22 sq ft | 350 lbs | 120 ft |
| No Ice | 55.5 sq ft | 30.83 sq ft | 350 lbs | 120 ft to 90 ft |
| 1/2" Ice | 67 sq ft | 37.22 sq ft | 600 lbs | 120 ft to 90 ft |
| (1)-7/8" coax Elevation 0 ft to 120 ft | | | | |
| Climbing Ladder Elevation 0 ft to 100 ft | | | | |

| 70 mph/61 mph + 1/2" radial ice (Fastest MPH) per EIA-222-F | | | | |
|---|------------|-----------------|---------|-----------------|
| | CaAa | Flat Plate Area | Weight | Elevation |
| No Ice | 33.9 sq ft | 18.83 sq ft | 200 lbs | 120 ft |
| 1/2" Ice | 41 sq ft | 22.78 sq ft | 350 lbs | 120 ft |
| No Ice | 58 sq ft | 32.22 sq ft | 350 lbs | 120 ft to 90 ft |
| 1/2" Ice | 70 sq ft | 38.88 sq ft | 600 lbs | 120 ft to 90 ft |
| (1)-7/8" coax Elevation 0 ft to 120 ft | | | | |
| Climbing Ladder Elevation 0 ft to 100 ft | | | | |

* PIPE LEGS 42 KSI MIN YIELD
10 GA TUBE LEGS 30 KSI MIN YIELD



FOUNDATION REACTIONS
TOTAL MOMENT: 294 FT-KIPS
TOTAL SHEAR: 5 KIPS
TOTAL DOWNLOAD: 7 KIPS

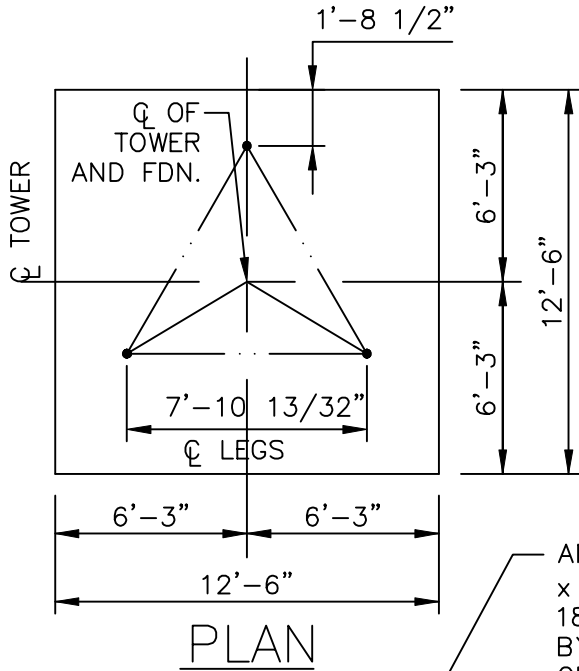
AMERICAN TOWER COMPANY
ISO 9001-2000
P.O. Box 29 Shelby, Ohio 44875
www.amertower.com
info@amertower.com
Since 1953

Telephone (419) 347-1185 Fax (419) 347-1654

120' STANDARD

BY: DOW DATE: 12/21/02

DWG NO. 1060

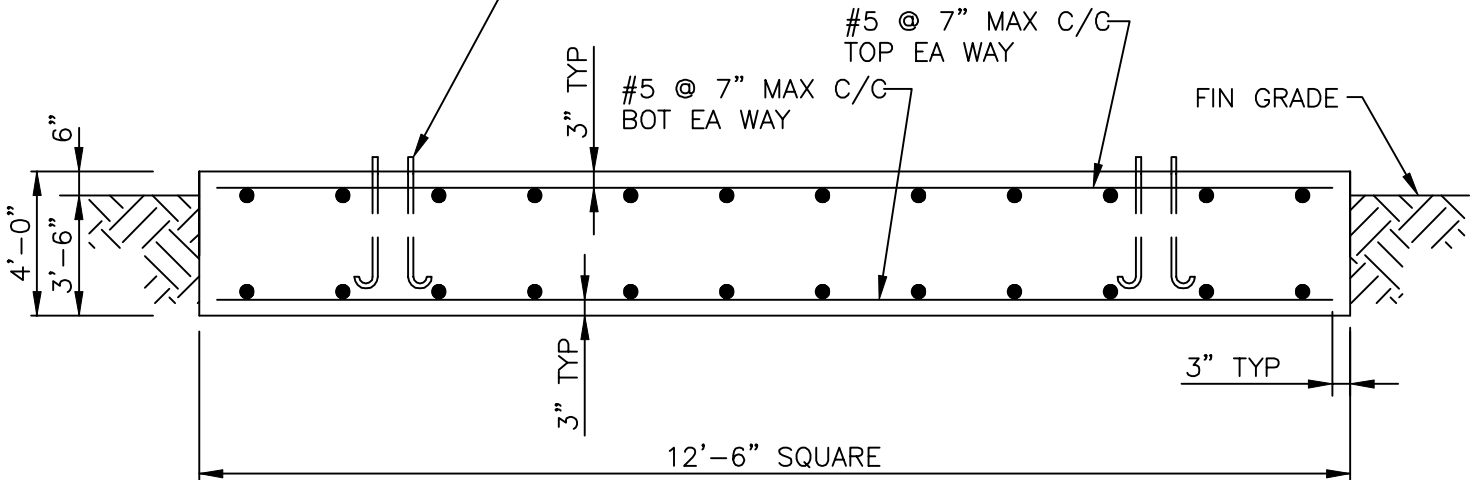


NOTES:

1. ALL CONCRETE SHALL HAVE A MINIMUM COMPRESSIVE STRENGTH OF 3000 PSI @ 28 DAYS.
2. REINFORCING STEEL SHALL CONFORM TO THE REQUIREMENTS OF ASTM A615 (GRADE 60).
3. TOTAL CONCRETE = 18 CUBIC YARDS.
4. FOUNDATION DESIGN BASED UPON ASSUMED SOIL PARAMETERS AS FOLLOWS:

ALLOW BEARING PRESSURE: 2000 PSF
 UNIT SOIL WEIGHT: 100 PCF
 WATER AND ROCK LOCATED BELOW FOOTING

ANCHOR BOLTS BY AMERICAN TOWER, 1" ϕ x 3'-6" MIN EMBEDMENT INTO CONCRETE. 180° END HOOK PER ACI. SEE DRAWINGS BY AMERICAN TOWER FOR ANCHOR BOLT ORIENTATION.



MAT FOUNDATION

FOOTING MUST BEAR ON UNDISTURBED SOIL OR COMPACTED BACKFILL.

| | |
|--|----------------|
| AMERICAN TOWER COMPANY ISO 9001-2000 P.O. Box 29 Shelby, Ohio 44875 www.amertower.com info@amertower.com Telephone (419)347-1185 Since 1953 Fax (419) 347-1654 | |
| 120' STANDARD FOUNDATION | |
| BY: DOW | DATE: 12/21/02 |
| DWG NO. 1060 A | |