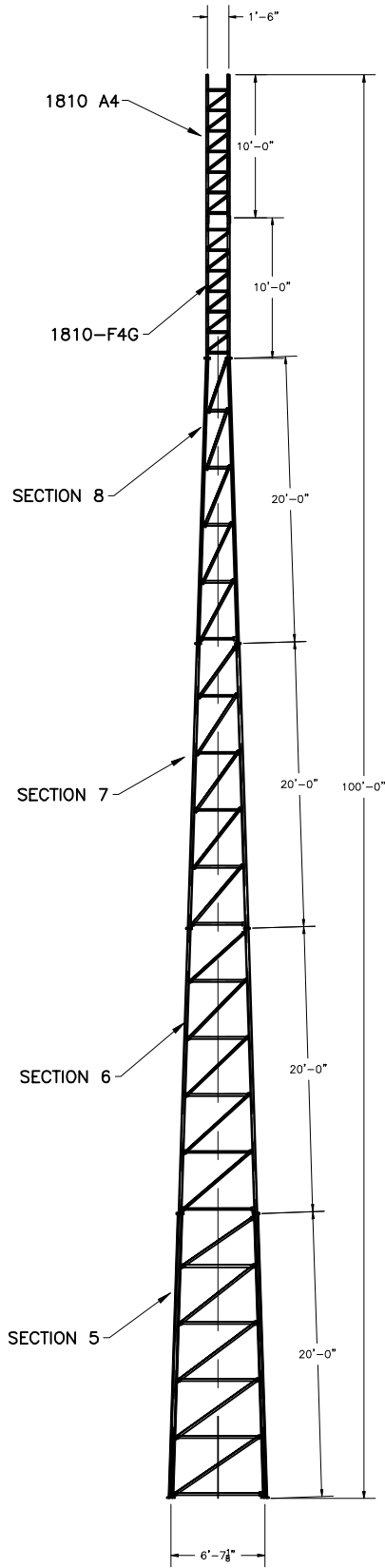


ASTM		*	
LEGS	2.875" x 0.203"	2.375" x 0.218"	1.9" x 0.145"
DIAGONALS	L2 x 2 x 1/8	L1 3/4 x 1 3/4 x 1/8	L1 1/2 x 1 1/2 x 1/8
GIRTS	L2 x 2 x 1/8	L1 3/4 x 1 3/4 x 1/8	L1 1/4 x 1 1/4 x 1/8
BRACE BOLTS	(4)-5/8"φ	(1)-5/8"φ	(2)-1/2"φ
SPLICE BOLTS	(4)-1"φ (C1018 THREADED ROD)	(4)-5/8"φ	(4)-1/2"φ
ANCHOR BOLTS	(4)-1"φ (C1018 THREADED ROD)	(1)-5/8"φ	(2)-1/2"φ
			GRADE 5

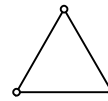


According to ANSI/EIA-222-F 1996

90 mph/78 mph + 1/2" radial ice w/ (3 second gust) per OBC AND IBC				
	CaAa	Flat Plate Area	Weight	Elevation
No Ice	34.0 sq ft	18.89 sq ft	800 lbs	100 ft
1/2" Ice	42.0 sq ft	23.33 sq ft	1100 lbs	100 ft
No Ice	59.0 sq ft	32.78 sq ft	750 lbs	100 ft to 70 ft
1/2" Ice	71.5 sq ft	39.72 sq ft	1300 lbs	100 ft to 70 ft
(1)-7/8" coax Elevation 0 ft to 100 ft				
Climbing Ladder Elevation 0 ft to 80 ft				

70 mph/61 mph + 1/2" radial ice (Fastest MPH) per EIA-222-F				
	CaAa	Flat Plate Area	Weight	Elevation
No Ice	35.5 sq ft	19.72 sq ft	800 lbs	100 ft
1/2" Ice	43.0 sq ft	23.89 sq ft	1100 lbs	100 ft
No Ice	62.0 sq ft	34.44 sq ft	750 lbs	100 ft to 70 ft
1/2" Ice	74.5 sq ft	41.39 sq ft	1300 lbs	100 ft to 70 ft
(1)-7/8" coax Elevation 0 ft to 100 ft				
Climbing Ladder Elevation 0 ft to 80 ft				

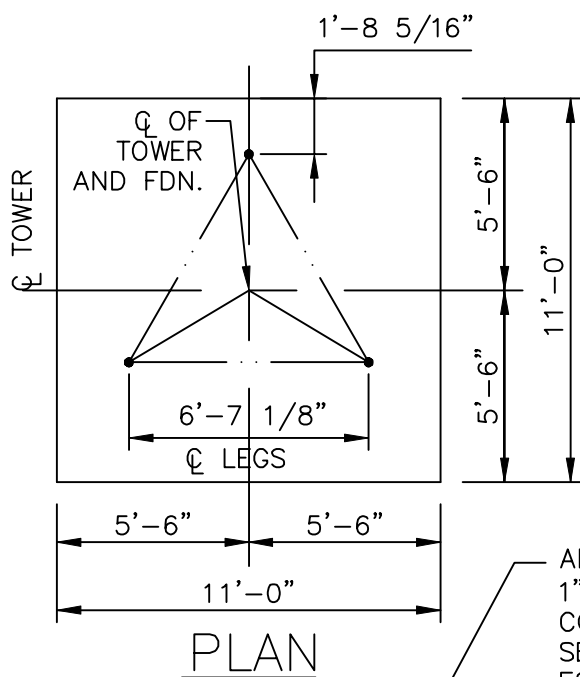
\* PIPE LEGS 42 KSI MIN YIELD  
10 GA TUBE LEGS 30 KSI MIN YIELD



INTERIOR BRACING  
- NOT REQUIRED -

FOUNDATION REACTIONS  
TOTAL MOMENT: 226 FT-KIPS  
TOTAL SHEAR: 4 KIPS  
TOTAL DOWNLOAD: 6 KIPS

<b>AMERICAN TOWER COMPANY</b> ISO 9001-2000 P.O. Box 29 Shelby, Ohio 44875 www.amertower.com info@amertower.com Since 1953	
Telephone (419) 347-1185	Fax (419) 347-1654
100' STANDARD	
BY: DOW	DATE: 12/21/02
DWG NO. 1061	

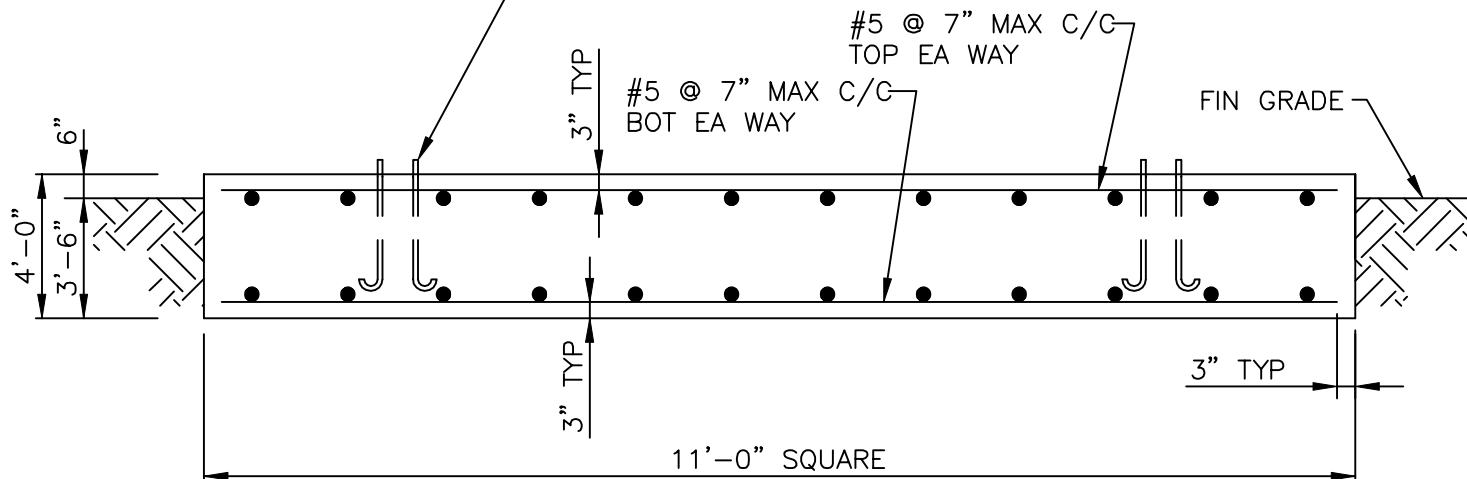


NOTES:

1. ALL CONCRETE SHALL HAVE A MINIMUM COMPRESSIVE STRENGTH OF 3000 PSI @ 28 DAYS.
2. REINFORCING STEEL SHALL CONFORM TO THE REQUIREMENTS OF ASTM A615 (GRADE 60).
3. TOTAL CONCRETE = 18 CUBIC YARDS.
4. FOUNDATION DESIGN BASED UPON ASSUMED SOIL PARAMETERS AS FOLLOWS:

ALLOW BEARING PRESSURE: 2000 PSF  
 UNIT SOIL WEIGHT: 100 PCF  
 WATER AND ROCK LOCATED BELOW FOOTING

ANCHOR BOLTS BY AMERICAN TOWER,  
 1"Ø x 3'-6" MIN EMBEDMENT INTO  
 CONCRETE. 180° END HOOK PER ACI.  
 SEE DRAWINGS BY AMERICAN TOWER  
 FOR ANCHOR BOLT ORIENTATION.



FOOTING MUST BEAR ON  
 UNDISTURBED SOIL OR  
 COMPACTED BACKFILL.

**AMERICAN TOWER COMPANY**  
 ISO 9001-2000  
 P.O. Box 29 Shelby, Ohio 44875  
 www.amertower.com  
 info@amertower.com

Telephone (419)347-1185      Since 1953      Fax (419) 347-1654

---

100' STANDARD FOUNDATION

---

BY: DOW      DATE: 12/21/02

---

DWG NO. 1061 A